

Standard Series - Model: HU207011

Undermount



Specifications:

- 304 stainless steel 18 gauge
- Satin finish
- Template
- Undermount clips
- Strainer
- 8" Deep

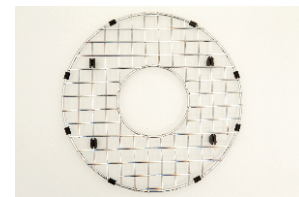
Outside: 16.5" Round x 8"
Inside: 14.5" Round x 8"

Minimum cabinet size 19"

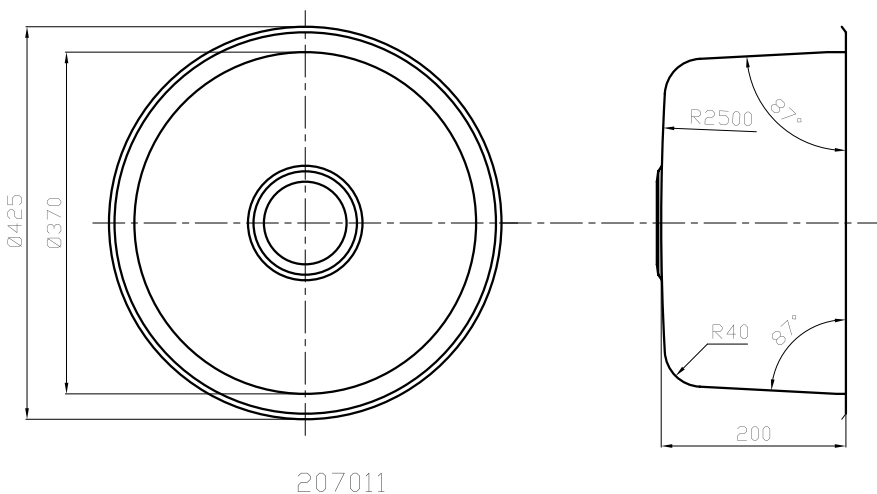
Certification/Warranty

- ASME A 112.19.3
- CSA B45.4
- Limited Lifetime Warranty

Optional Accessory



Model: G207011



Bosco Canada Inc. is known around the world for producing high quality kitchen sinks that incorporate modern design and functional superiority in every piece they manufacture.