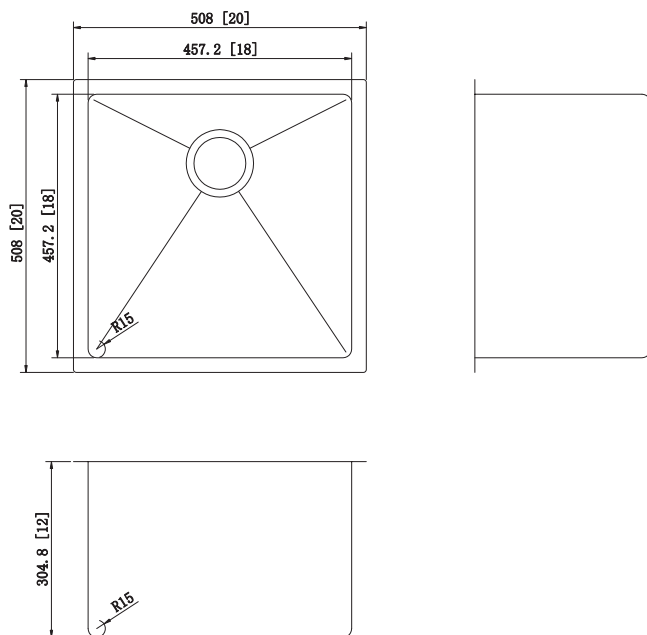


Laundry Sink - Model: 208036 Plus

Undermount

Rear positioned drain to maximize usable bowl and cabinet storage space below



Specifications:

- 304 stainless steel 18 gauge
- Bowl corner radius of 15mm
- Strainers
- Undermount clips
- Template
- 12" Deep

Outside: 20" x 20" x 12"
Inside: 18" x 18" x 12"

Minimum cabinet size 24"

Certification/Warranty

- ASME A 112.19.3
- CSA B45.4
- Limited Lifetime Warranty

Included Accessories



Model: G208036



Model: 202010

Bosco Canada Inc. is known around the world for producing high quality kitchen sinks that incorporate modern design and functional superiority in every piece they manufacture.