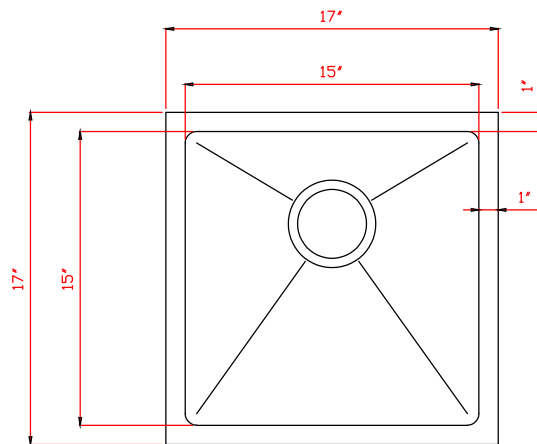
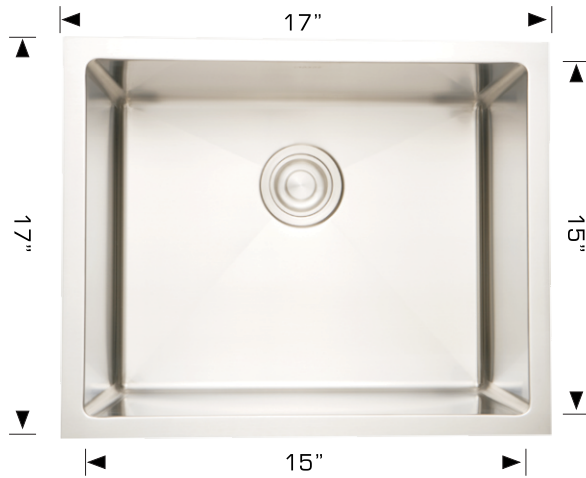


Standard Series - Model:208012

Radius Corners

Rear positioned drain holes to maximize usable bowl and cabinet storage space below



Specifications:

- Handcrafted
- 304 stainless steel
- 18 gauge
- Bowl corner radius of 15mm
- Undermount clips
- Template
- Stainless steel strainer
- 10" Deep

Outside: 17" x 17" x 10"
 Inside: 15" x 15" x 10"

Minimum cabinet size 20"

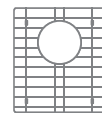
Certification/Warranty

- ASME A 112.19.3
- CSA B45.4
- Limited Lifetime Warranty

Optional Accessories



Strainer
Model: 202010



Grid
Model: G208012



Strainer
Model: 202012



Cutting Board
Model: 202020

Bosco Canada Inc. is known around the world for producing high quality kitchen sinks that incorporate modern design and functional superiority in every piece they manufacture.