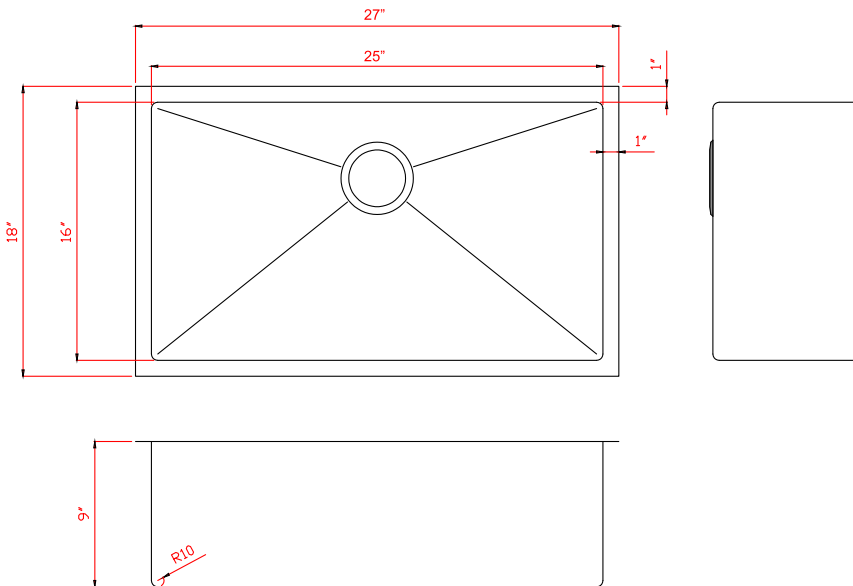
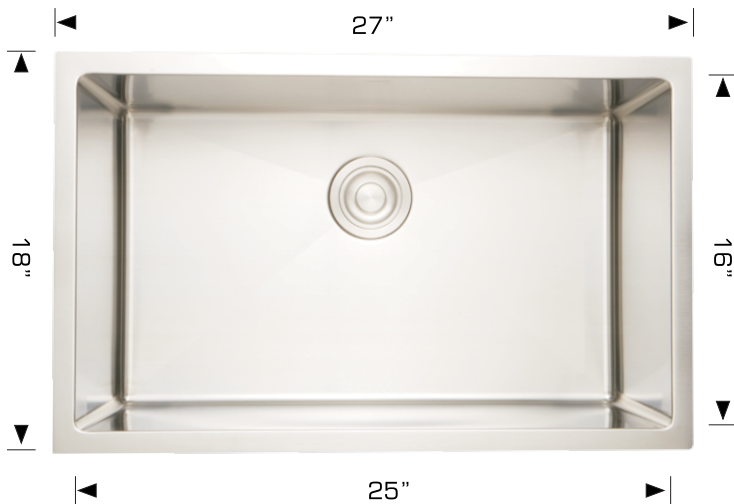


Standard Series - Model:208004Plus

Radius Corners

Rear positioned drain holes to maximize usable bowl and cabinet storage space below



Specifications:

- Handcrafted
- 304 stainless steel
- 18 gauge
- Bowl corner radius of 10mm
- Undermount clips
- Template
- Stainless steel strainer
- 9" Deep

Outside: 27" x 18" x 9"

Inside: 25" x 16" x 9"

Minimum cabinet size 30"

Certification/Warranty

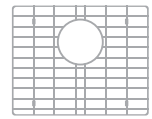
- ASME A 112.19.3
- CSA B45.4
- Limited Lifetime Warranty

Accessories Included

208004 Plus



Strainer
Model: 202010



Grid
Model: G208004



Plate Holder
Model: 202041



Basket
Model: 202040

Optional Accessories



Strainer
Model: 202012



Cutting Board
Model: 202020

Bosco Canada Inc. is known around the world for producing high quality kitchen sinks that incorporate modern design and functional superiority in every piece they manufacture.