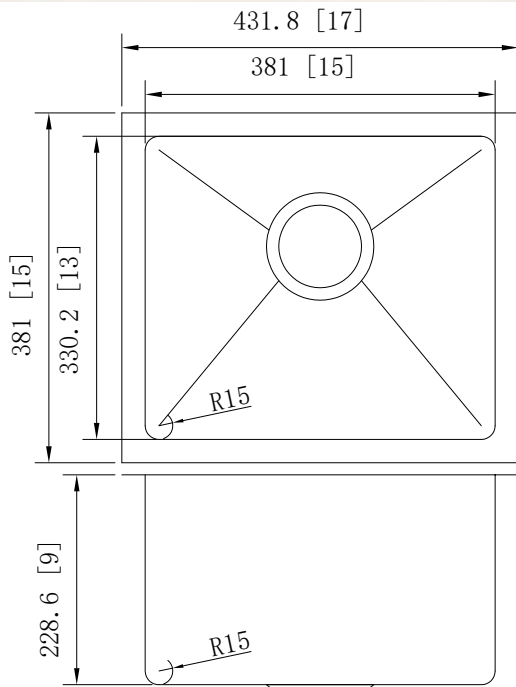


## Commercial Series - Model: 203340C

### Radius Corner

Rear positioned drain holes to maximize usable bowl and cabinet storage space below



### Specifications:

- Handcrafted
- 304 Stainless Steel 16 Gauge
- 18/10 Chrome Nickel Content
- Bowl Corner Radius of 15 mm
- Undermount Clips
- Template
- Stainless Steel Strainer
- 9" Deep

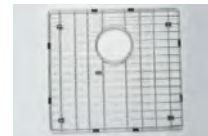
Outside: 17" x 15" x 9"  
Inside: 15" x 13" x 9"

Minimum cabinet size 20"

### Certification/Warranty

- ASME A 112.19.3
- CSA B45.4
- Limited Lifetime Warranty

### Optional Accessories



**Model:** G203340  
Grid

*Bosco Canada Inc. is known around the world for producing high quality kitchen sinks that incorporate modern design and functional superiority in every piece they manufacture.*