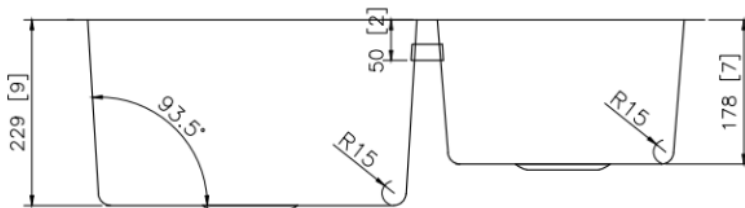
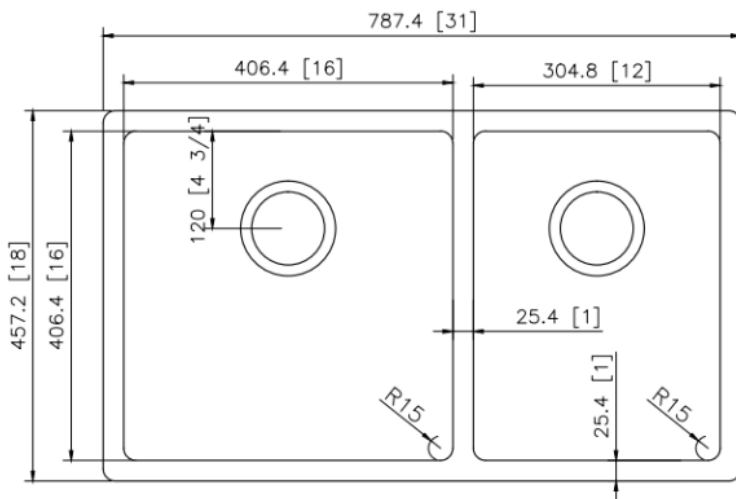


Builder Series - Model:208021

Undermount Rear positioned drain holes to maximize usable bowl and cabinet storage space below



Specifications:

- Handcrafted
- 304 Stainless Steel
- 18 Gauge
- Bowl Corner Radius of 15mm
- Strainer
- Undermount Clips
- Template
- 9" Deep

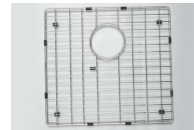
Outside: 31" x 18" x 9"
Inside: 29" x 16" x 9"
Bowl Size: 16" x 16" x 9"
12" x 16" x 7"

Minimum Cabinet Size 33"

Certification/Warranty

- ASME A 112.19.3
- CSA B45.4
- Limited Lifetime Warranty

Optional Accessories



Model: G208021 B
Grid



Model: G208021 S
Grid



Model: 202041
Plate Holder



Model: 202040
Colander



Model: 202020
Cutting Board

Bosco Canada Inc. is known around the world for producing high quality kitchen sinks that incorporate modern design and functional superiority in every piece they manufacture.