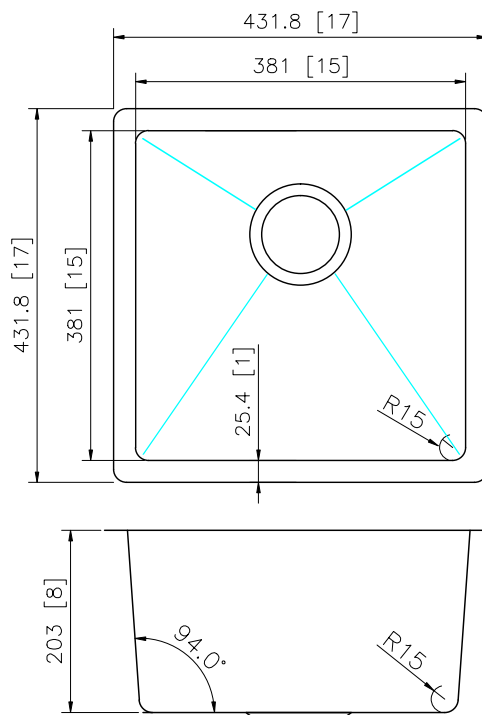


## Builder Series - Model:208019

**Undermount** Rear positioned drain holes to maximize usable bowl and cabinet storage space below



### Specifications:

- Handcrafted
- 304 Stainless Steel
- 18 Gauge
- Bowl Corner Radius of 15mm
- Strainer
- Undermount Clips
- Template
- 8" Deep

Outside: 17" x 17" x 8"

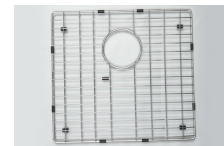
Inside: 15" x 15" x 8"

Minimum Cabinet Size 19"

### Certification/Warranty

- ASME A 112.19.3
- CSA B45.4
- Limited Lifetime Warranty

### Optional Accessories



**Model: G208019**  
Grid

*Bosco Canada Inc. is known around the world for producing high quality kitchen sinks that incorporate modern design and functional superiority in every piece they manufacture.*