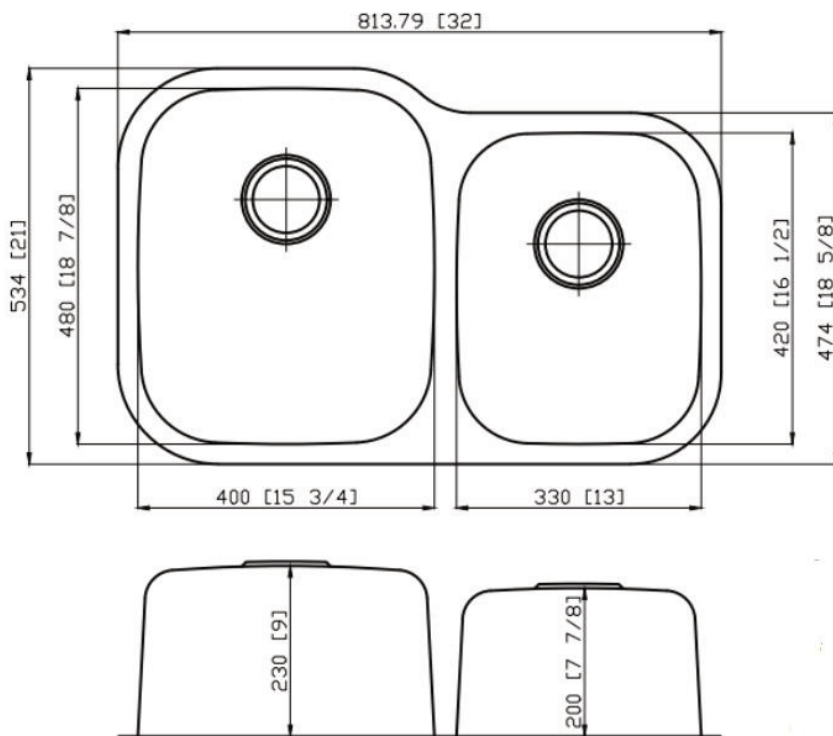


Stainless Steel Sinks & Accessories

Standard Series - Model:207042

Undermount Rear positioned drain holes to maximize usable bowl and cabinet storage space below



Specifications:

- 304 Stainless Steel
- 18 Gauge
- Satin Finish
- Strainers
- Undermount Clips
- Template
- 9" Deep

Outside: 32" x 21" x 9"

Inside: 30" x 18 7/8" x 9"

Bowl Size: 15 3/4" x 18 7/8" x 9"
 13" x 16 1/2" x 7 7/8"

Minimum cabinet size 35"

Certification/Warranty

- ASME A 112.19.3
- CSA B45.4
- Limited Lifetime Warranty

Optional Accessories



Cutting Board
Model: 202009



Plate Holder
Model: 202013



Grid
Model: G207042 B



Grid
Model: G207042 S

Bosco Canada Inc. is known around the world for producing high quality kitchen sinks that incorporate modern design and functional superiority in every piece they manufacture.