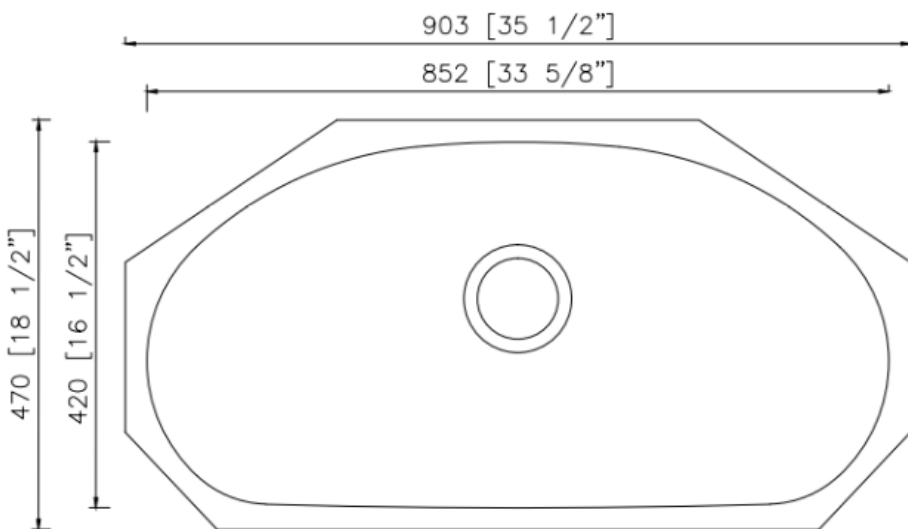


## Builder Series - Model:207034 Undermount



### Specifications:

- 304 Stainless Steel
- 18 Gauge
- Strainer
- Undermount Clips
- Template
- 9" Deep

#### Outside:

35 1/2" x 18 1/2" x 9"

#### Inside:

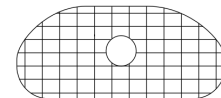
33 5/8" x 16 1/2" x 9"

Minimum Cabinet Size 38"

### Certification/Warranty

- ASME A 112.19.3
- CSA B45.4
- Limited Lifetime Warranty

### Optional Accessories



**Model: G207034**  
Grid



**Model: 202013**  
Plate Holder



**Model: 202014**  
Basket



**Model: 202009**  
Cutting Board

*Bosco Canada Inc. is known around the world for producing high quality kitchen sinks that incorporate modern design and functional superiority in every piece they manufacture.*