

Standard Series - Model:207001M Undermount



Specifications:

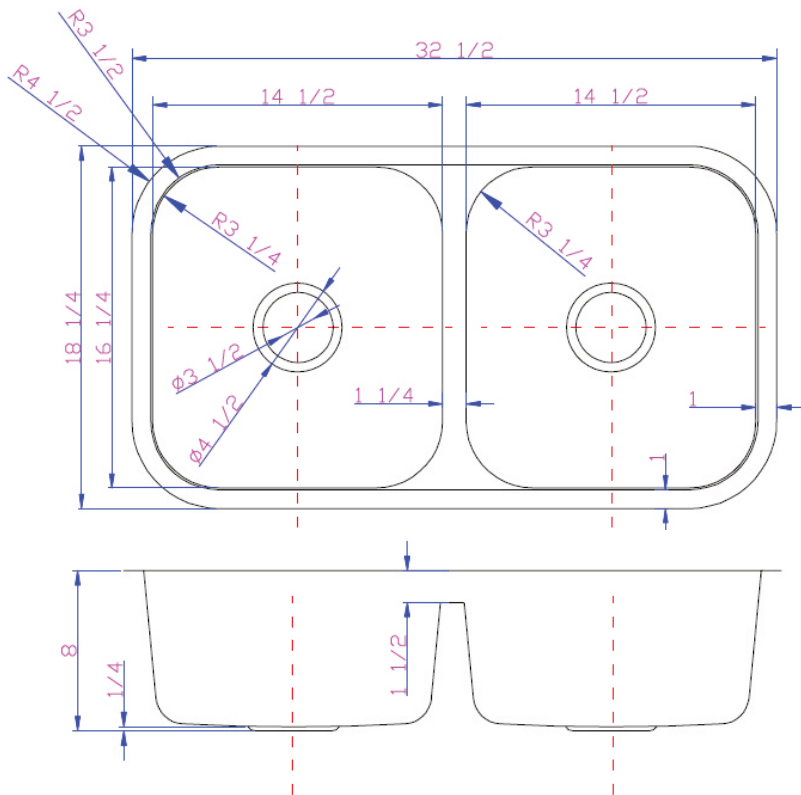
- 304 Stainless Steel
- 18 Gauge
- 18/10 Chrome Nickle Content
- Satin Finish
- Strainers
- Undermount Clips
- Template
- 8" Deep
- 6 1/2" Deep Center
- 1 1/2" Wide Center Lowered 1 1/2"
- Drain in Center

| | |
|------------|----------------------------|
| Outside: | 32 1/2" x 18 1/4" x 8" |
| Inside: | 30 1/2" x 16 1/4" x 8" |
| Bowl Size: | 14 1/2" x 16 3/4" x 6 1/2" |
| | 14 1/2" x 16 3/4" x 6 1/2" |

Minimum cabinet size 35"

Certification/Warranty

- ASME A 112.19.3
- CSA B45.4
- Limited Lifetime Warranty



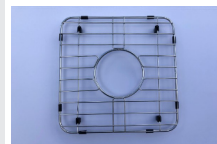
Optional Accessories



Model: 202009
Cutting Board



Model: 202013
Plate Holder



Model: G207001M
Grid



Model: 202015
Utensil Rack

Bosco Canada Inc. is known around the world for producing high quality kitchen sinks that incorporate modern design and functional superiority in every piece they manufacture.