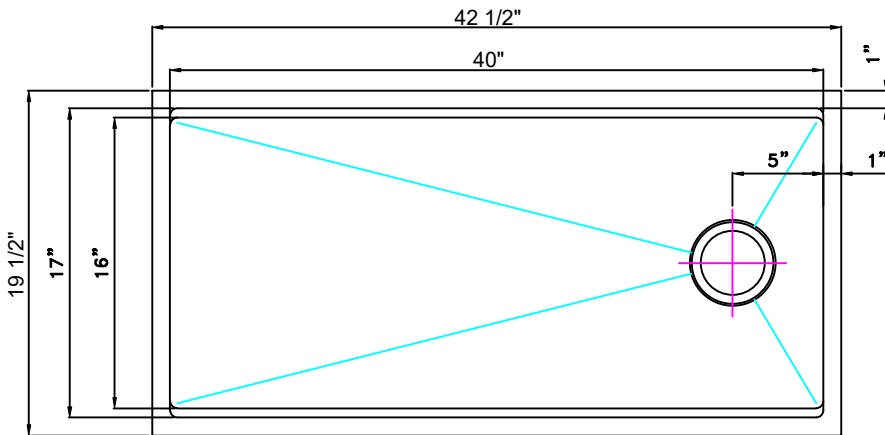
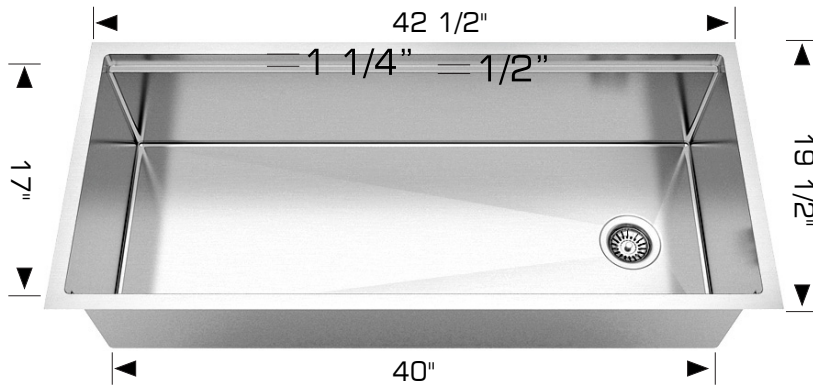


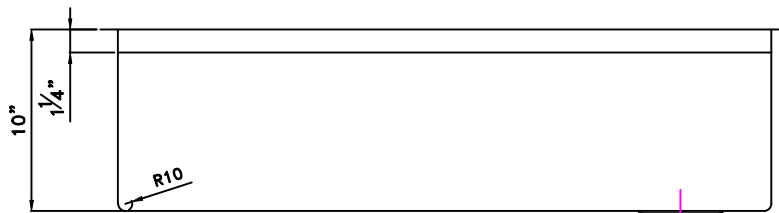
Linear Series - Model: 204219M

Radius Corner Multi-level

Positioned drain holes (left or right)



Top view



Side section view

Specifications:

- Handcrafted
- 316 Stainless Steel 16 Gauge
- 18/10 Chrome Nickel Content
- Bowl Corner Radius of 10 mm
- Brushed Finish
- Clips & Template
- Stainless Steel Strainer
- Top To Lip 1 1/4" Lower
- Lip 1/2"
- 10" Deep

Outside: 42 1/2" x 19 1/2" x 10"
Inside: 40" x 17" x 10"

Minimum Cabinet Size: 45"

Certification/Warranty

- ASME A 112.19.3
- CSA B45.4
- Limited Lifetime Warranty

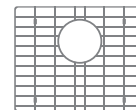
Accessories Included



Model: 202036
Cutting Board



Model: 202039
Roll Up Dish Drying Rack



Model: G204219M
Grid



Model: 202038
Plate Holder



Model: 202010
Strainer



Model: 202037
Basket

Bosco Canada Inc. is known around the world for producing high quality kitchen sinks that incorporate modern design and functional superiority in every piece they manufacture.