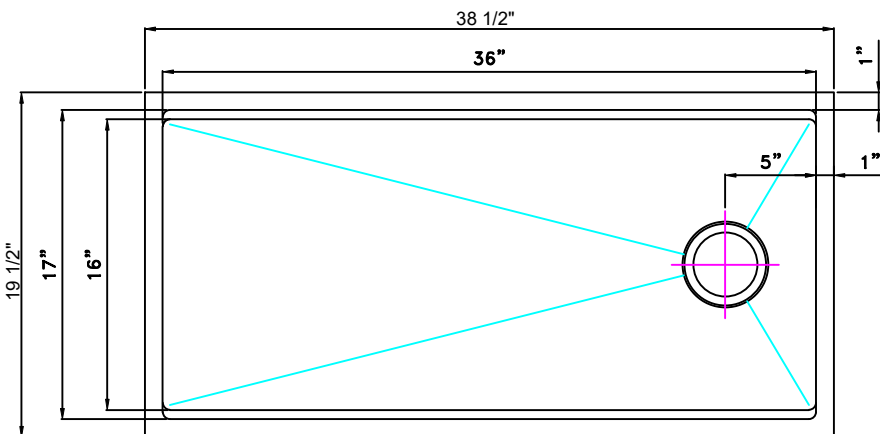
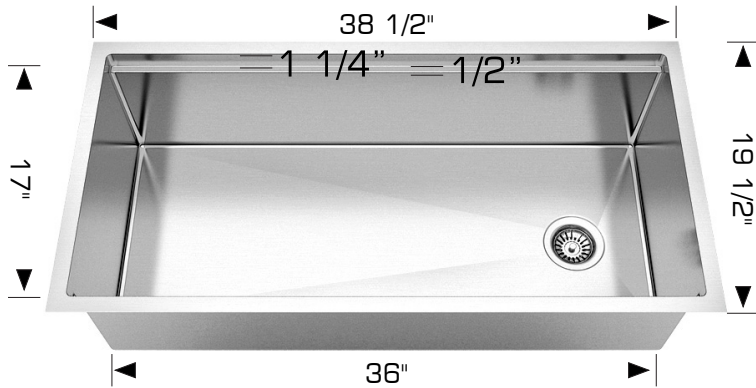


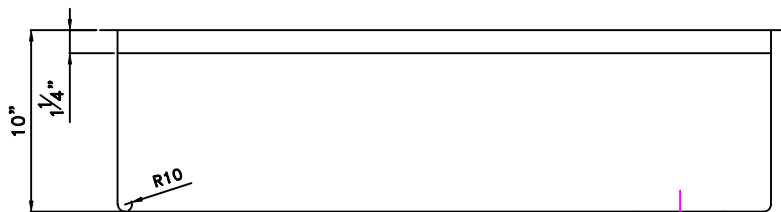
## Linear Series - Model: 203819M

Radius Corner Multi-level

Positioned drain holes (left or right)



Top view



Side section view

### Specifications:

- Handcrafted
- 316 Stainless Steel 16 Gauge
- 18/10 Chrome Nickel Content
- Bowl Corner Radius of 10 mm
- Brushed Finish
- Clips & Template
- Stainless Steel Strainer
- Top To Lip 1 1/4" Lower
- Lip 1/2"
- 10" Deep

Outside: 38 1/2" x 19 1/2" x 10"  
Inside: 36" x 17" x 10"

Minimum Cabinet Size: 41"

### Certification/Warranty

- ASME A 112.19.3
- CSA B45.4
- Limited Lifetime Warranty

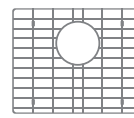
### Accessories Included



Model: 202036  
Cutting Board



Model: 202039  
Roll Up Dish Drying Rack



Model: G203819M  
Grid



Model: 202038  
Plate Holder



Model: 202010  
Strainer



Model: 202037  
Basket

*Bosco Canada Inc. is known around the world for producing high quality kitchen sinks that incorporate modern design and functional superiority in every piece they manufacture.*