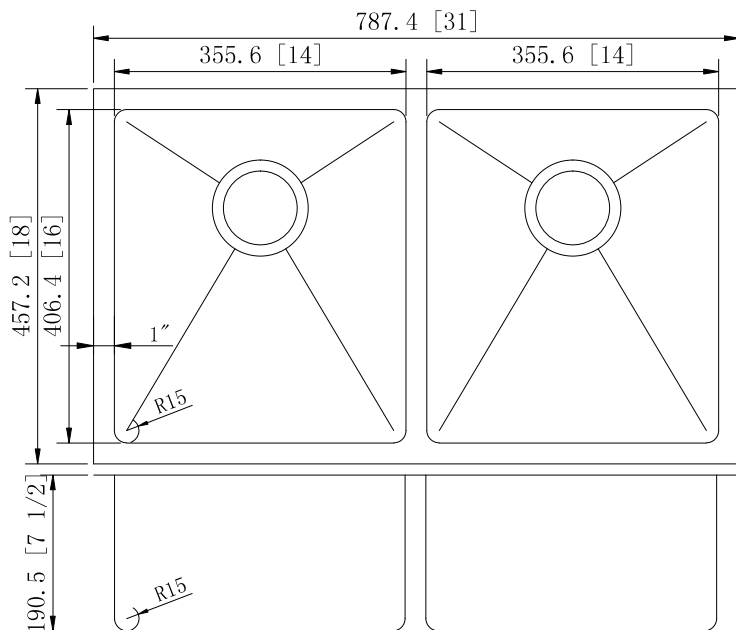


Titanium Series - Model: 203350

Radius Corner

Rear positioned drain holes to maximize usable bowl and cabinet storage space below



Specifications:

- Handcrafted
- 304 Stainless Steel 16 Gauge
- 18/10 Chrome Nickel Content
- Bowl Corner Radius of 15 mm
- Brushed Finish
- Clips & Template
- Stainless Steel Strainer
- 7.5" Deep

Outside: 31" x 18" x 7.5"
Inside: 29" x 16" x 7.5"
Bowl Size: 14" x 16" x 7.5"
14" x 16" x 7.5"

Minimum Cabinet Size 33"

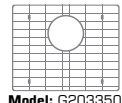
Certification/Warranty

- ASME A 112.19.3
- CSA B45.4
- Limited Lifetime Warranty

Optional Accessories



Model: 202012
Strainer



Model: G203350
Grid



Model: 202041
Plate Holder



Model: 202040
Colander



Roll Up Dish Drying Rack
Model: 202043



Cutting Board
Model: 202020

Bosco Canada Inc. is known around the world for producing high quality kitchen sinks that incorporate modern design and functional superiority in every piece they manufacture.