

Deluxe Series - Model: 20334

Apron Radius Corner

Specifications:

- Handcrafted
- 304 Stainless Steel 16 Gauge
- 18/10 Chrome Nickel Content
- Bowl Corner Radius of 10 mm
- Undermount Clips
- Stainless Steel Strainer
- 10" Deep
- 9" Deep Apron

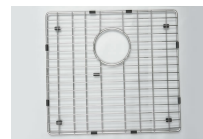
Outside: 32" x 19" x 10"
Inside: 30" x 16" x 10"
Bowl Size: 13" x 16" x 10"
16" x 16" x 10"

Minimum Cabinet Inside Size: 32"

Certification/Warranty

- ASME A 112.19.3
- CSA B45.4
- Limited Lifetime Warranty

Optional Accessories



Model: G203624B
Grid



Model: G203624S
Grid



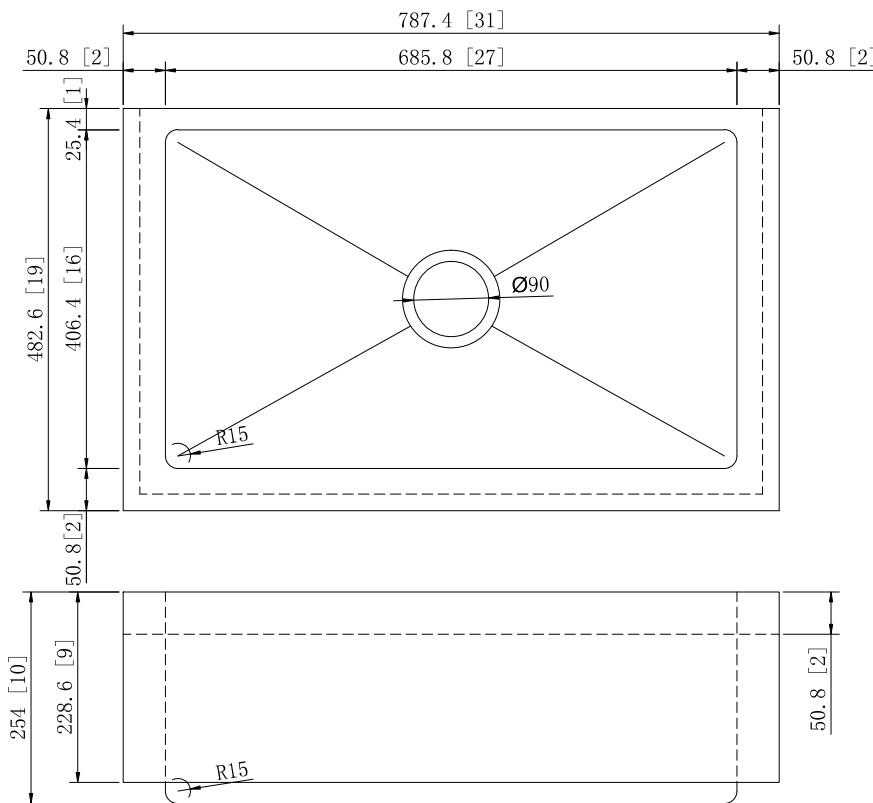
Model: 202015
Utensil Rack



Model: 202013
Plate Holder



Model: 202009
Cutting Board



Bosco Canada Inc. is known around the world for producing high quality kitchen sinks that incorporate modern design and functional superiority in every piece they manufacture.