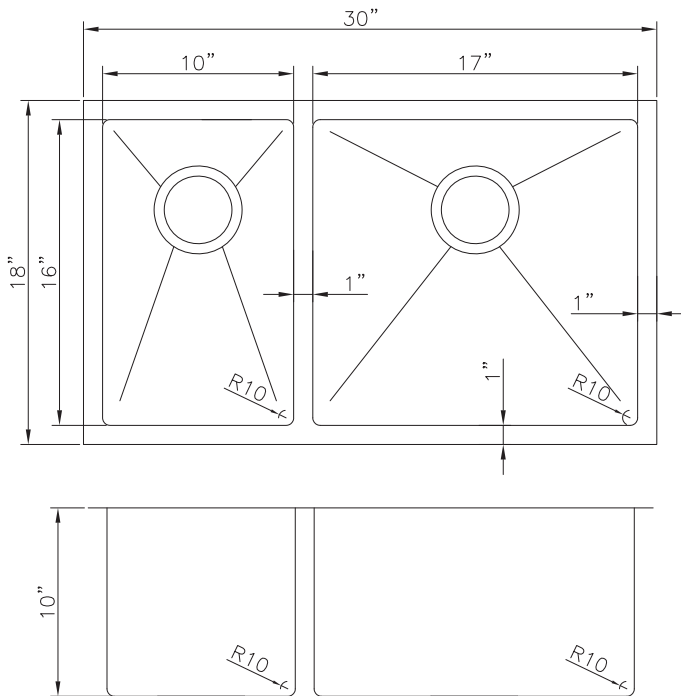


## Deluxe Series - Model: 203317R

### Radius Corners

Rear positioned drain holes to maximize usable bowl and cabinet storage space below



### Specifications:

- Handcrafted
- 304 Stainless Steel 18 Gauge
- 18/10 Chrome Nickel Content
- Bowl Corner Radius of 10mm
- Undermount clips
- Template
- Stainless Steel Strainers
- 10" Deep

Outside: 30" x 18" x 10"  
Inside: 28" x 16" x 10"  
Bowl Size: 10" x 16" x 10"  
17" x 16" x 10"

Minimum Cabinet Size 33"

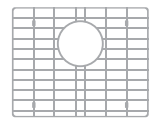
### Certification/Warranty

- ASME A 112.19.3
- CSA B45.4
- Limited Lifetime Warranty

### Optional Accessories



Strainer  
Model: 202012



Grid  
Model: G203317S  
Model: G203317B



Plate Holder  
Model: 202041



Basket  
Model: 202040



Utensil Basket  
Model: 202015



Cutting Board  
Model: 202020

*Bosco Canada Inc. is known around the world for producing high quality kitchen sinks that incorporate modern design and functional superiority in every piece they manufacture.*