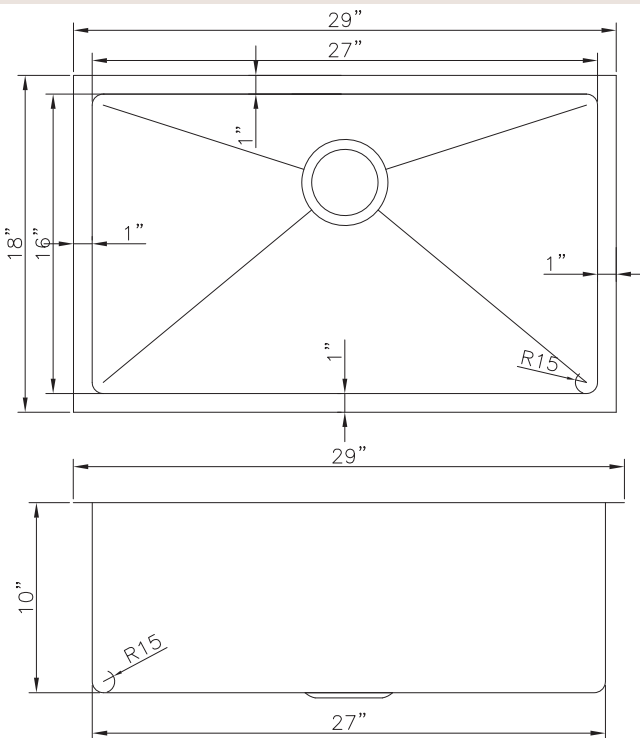
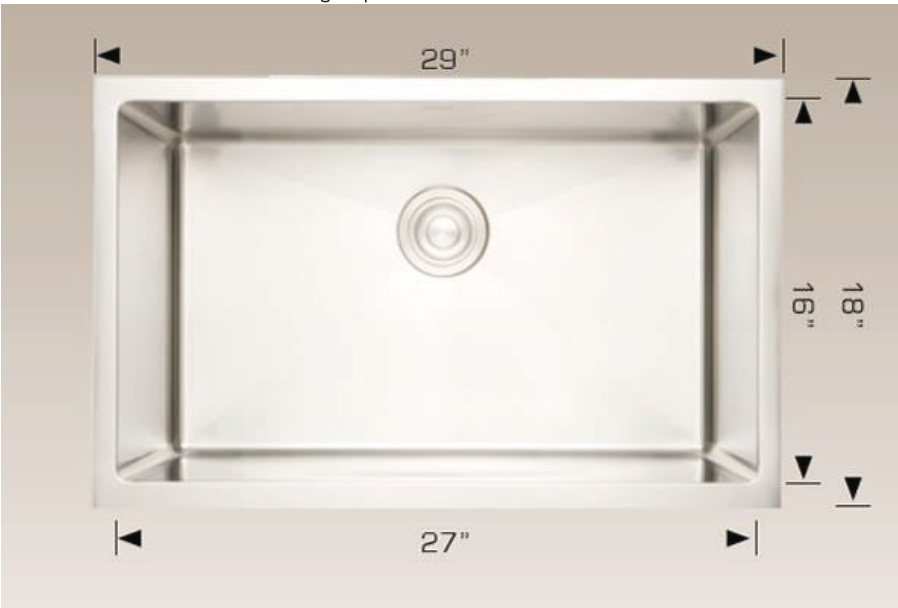


Deluxe Series - Model: 202220 Plus

Radius Corner

Rear positioned drain holes to maximize usable bowl and cabinet storage space below



Specifications:

- Handcrafted
- 304 Stainless Steel 18 Gauge
- 18/10 Chrome Nickel Content
- Bowl Corner Radius of 15 mm
- Undermount Clips
- Template
- Stainless Steel Strainer
- 10" Deep

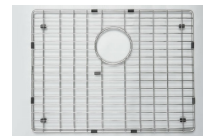
Outside: 29" x 18" x 10"
Inside: 27" x 16" x 10"

Minimum cabinet size 32"

Certification/Warranty

- ASME A 112.19.3
- CSA B45.4
- Limited Lifetime Warranty

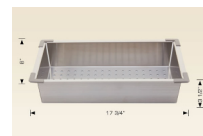
Included Accessories



Model: G202220
Grid



Model: 202041
Plate Holder



Model: 202040
Colander



Model: 202012
Strainer

Optional Accessories



Model: 202015
Utensil Rack



Model: 202020
Cutting Board

Bosco Canada Inc. is known around the world for producing high quality kitchen sinks that incorporate modern design and functional superiority in every piece they manufacture.