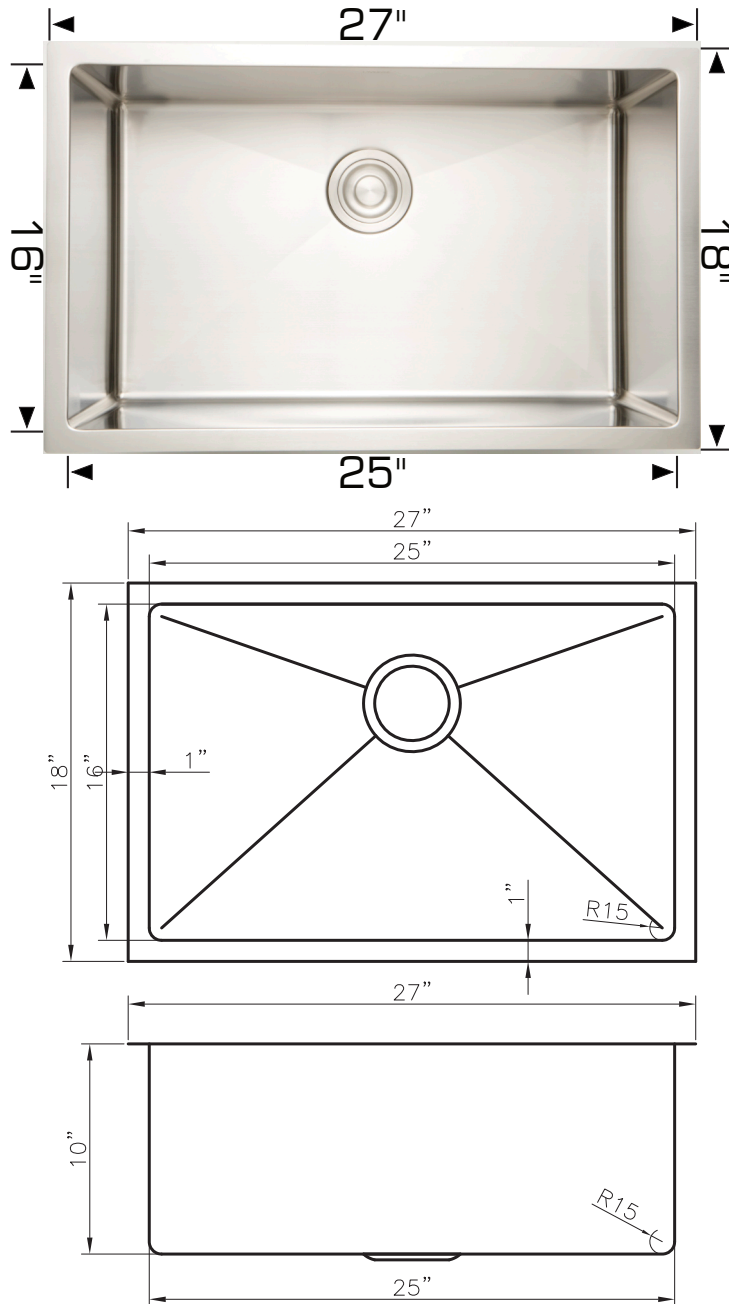


Deluxe Series - Model: 202218 Plus

Radius Corners

Rear positioned drain holes to maximize usable bowl and cabinet storage space below



Specifications:

- Handcrafted
- 316 Stainless Steel 16 Gauge
- 18/10 Nickel Content
- Bowl Corner Radius of 15mm
- Undermount Clips
- Template
- Stainless Steel Strainer
- 10" Deep

Outside: 27" x 18" x 10"
 Inside: 25" x 16" x 10"

Minimum Cabinet Size 30"

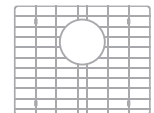
Certification/Warranty

- ASME A 112.19.3
- CSA B45.4
- Limited Lifetime Warranty

Included Accessories



Strainer
Model: 202012



Grid
Model: G202218



Plate Holder
Model: 202041



Basket
Model: 202040

Optional Accessories



Utensil Basket
Model: 202015



Cutting Board
Model: 202020

Bosco Canada Inc. is known around the world for producing high quality kitchen sinks that incorporate modern design and functional superiority in every piece they manufacture.