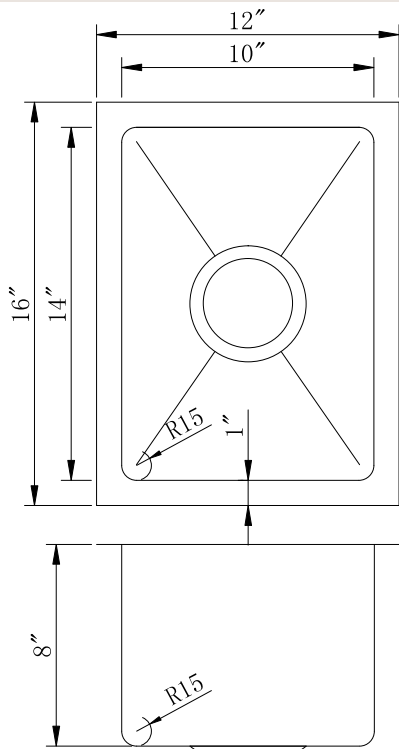
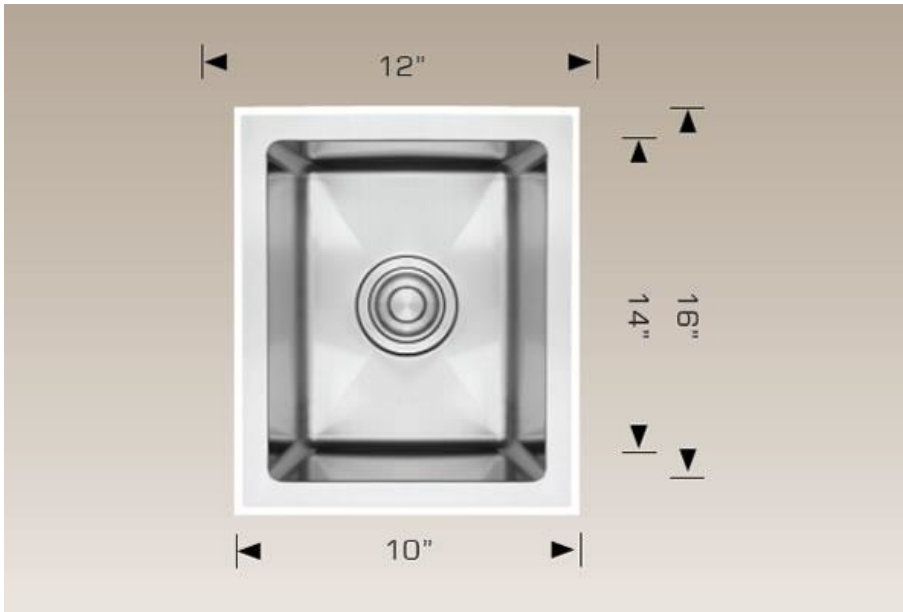


Deluxe Series - Model: 201711

Radius Corner Undermount



Specifications:

- Handcrafted
- 304 Stainless Steel
- 16 Gauge
- 18/10 Chrome Nickel Content
- Bowl Corner Radius of 15mm
- Undermount Clips
- Template
- Stainless Steel Strainer
- 8" Deep

Outside: 12" x 16" x 8"
Inside: 10" x 14" x 8"

Minimum Cabinet Size: 15"

Certification/Warranty

- ASME A 112.19.3
- CSA B45.4
- Limited Lifetime Warranty

Optional Accessories



Grid
Model: G201711



Strainer
Model: 202012

Bosco Canada Inc. is known around the world for producing high quality kitchen sinks that incorporate modern design and functional superiority in every piece they manufacture.