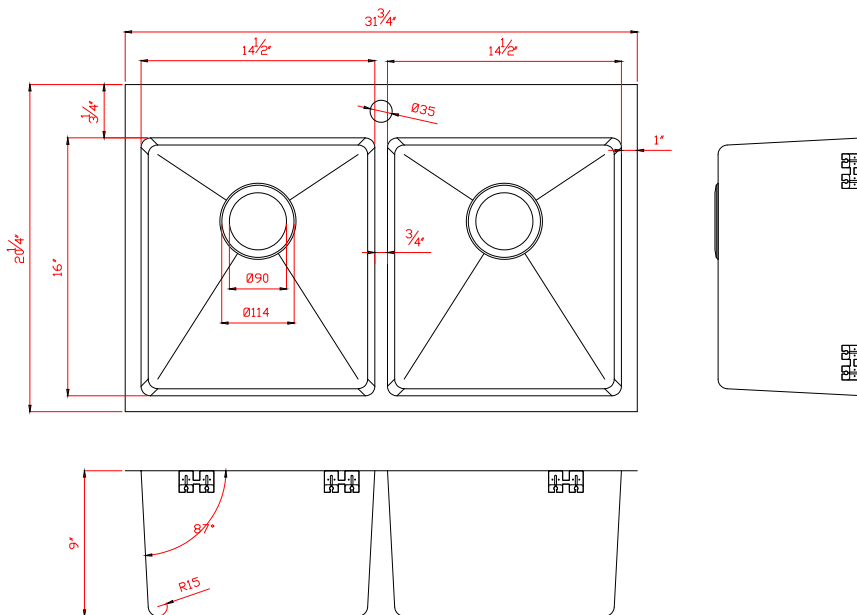


Builder Series - Model: T208026

Drop In
Radius Corners Flush Mount



Specifications:

- Handcrafted
- 304 stainless steel
- 18 gauge
- Bowl corner radius of 15mm
- Undermount clips
- Template
- Strainers
- 9" Deep

Outside: 31 3/4" x 20 1/4" x 9"
Inside: 29 3/4" x 16" x 9"
Bowl Size: 14 1/4" x 16" x 9"
14 1/4" x 16" x 9"

Minimum cabinet size 34"

Certification/Warranty

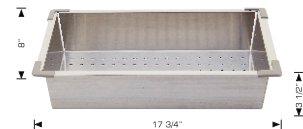
- ASME A 112.19.3
- CSA B45.4
- Limited Lifetime Warranty

Optional Accessories



17 3/4"

Plate Holder
Model: 202041



Colander
Model: 202040



Grid
Model: GT208026



Cutting Board
Model: 202020

Bosco Canada Inc. is known around the world for producing high quality kitchen sinks that incorporate modern design and functional superiority in every piece they manufacture.