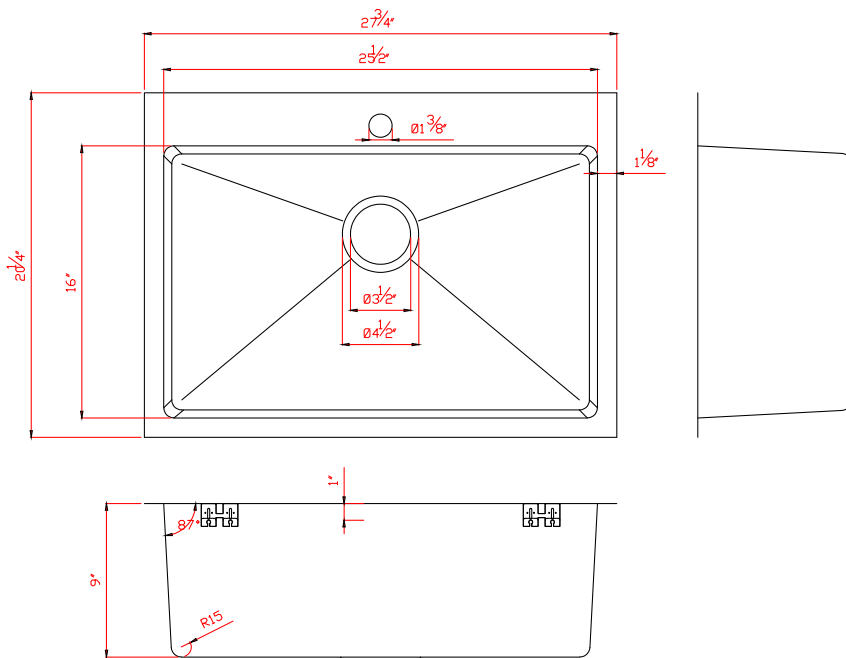


## Builder Series - Model: T208025

Drop In  
 Radius Corners Flush Mount



### Specifications:

- Handcrafted
- 304 stainless steel
- 18 gauge
- Bowl corner radius of 15mm
- Undermount clips
- Template
- Strainer
- 9" Deep

Outside: 27 3/4" x 20 1/4" x 9"  
 Inside: 25 1/2" x 16" x 9"

Minimum cabinet size 30"

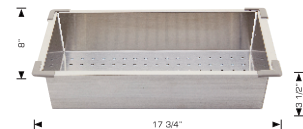
### Certification/Warranty

- ASME A 112.19.3
- CSA B45.4
- Limited Lifetime Warranty

### Optional Accessories



Plate Holder  
 Model: 202041



Colander  
 Model: 202040



Grid  
 Model: GT208025



Cutting Board  
 Model: 202020

*Bosco Canada Inc. is known around the world for producing high quality kitchen sinks that incorporate modern design and functional superiority in every piece they manufacture.*