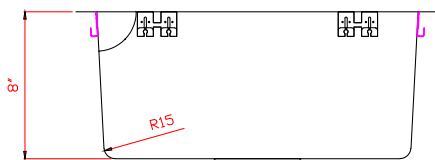
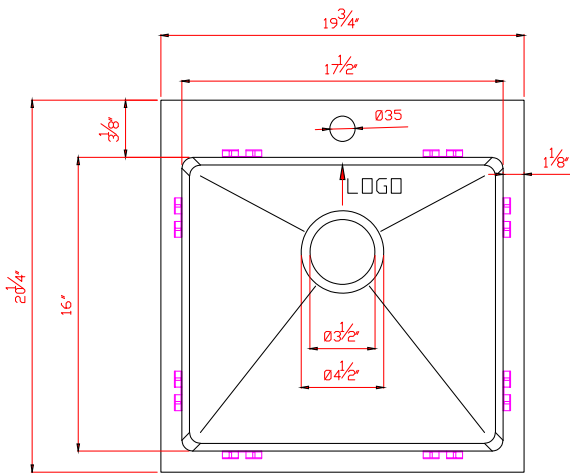
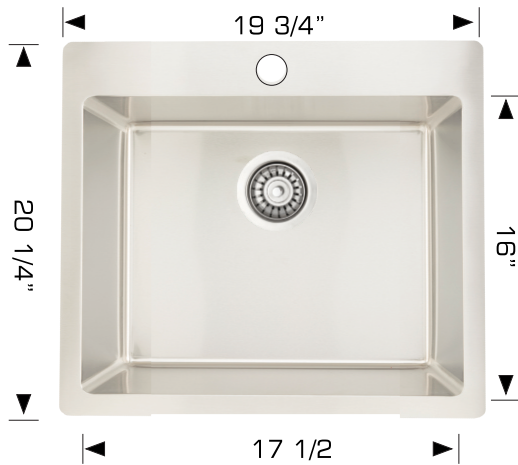


## Builder Series - Model: T208023

Drop In  
Radius Corners Flush Mount



### Specifications:

- Handcrafted
- 304 stainless steel
- 18 gauge
- Bowl corner radius of 15mm
- Undermount clips
- Template
- Strainers
- 8" Deep

Outside: 19 3/4" x 20 1/4" x 8"  
Inside: 17 1/2" x 16" x 8"

Minimum cabinet size 23"

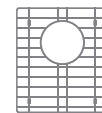
### Certification/Warranty

- ASME A 112.19.3
- CSA B45.4
- Limited Lifetime Warranty

### Optional Accessories



Plate Holder  
Model: 202041



Grid  
Model: GT208023

*Bosco Canada Inc. is known around the world for producing high quality kitchen sinks that incorporate modern design and functional superiority in every piece they manufacture.*