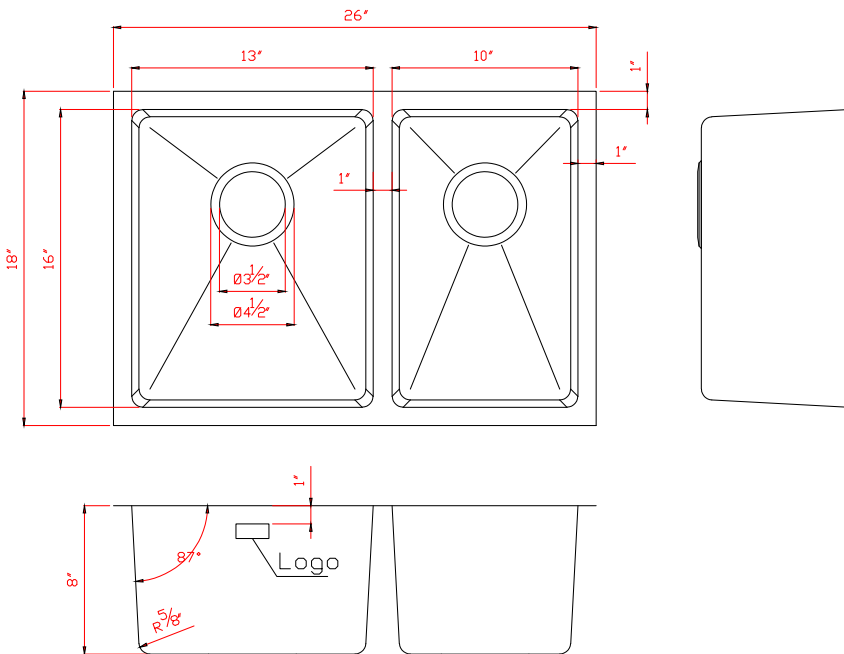


Builder Series - Model: 208020

Radius Corners

Rear positioned drain holes to maximize usable bowl and cabinet storage space below



Specifications:

- Handcrafted
- 304 stainless steel
- 18 gauge
- Bowl corner radius of 15mm
- Undermount clips
- Template
- Strainers
- 8'' Deep

Outside: 26" x 18" x 8"

Inside: 24" x 16" x 8"

Bowl Size: 13" x 16" x 8"

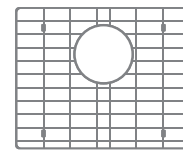
10" x 16" x 8"

Minimum cabinet size 28"

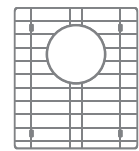
Certification/Warranty

- ASME A 112.19.3
- CSA B45.4
- Limited Lifetime Warranty

Optional Accessories



Grid
Model: G208020 B



Grid
Model: G208020 S



Plate Holder
Model: 202041



Colander
Model: 202040



Cutting Board
Model: 202020

Bosco Canada Inc. is known around the world for producing high quality kitchen sinks that incorporate modern design and functional superiority in every piece they manufacture.