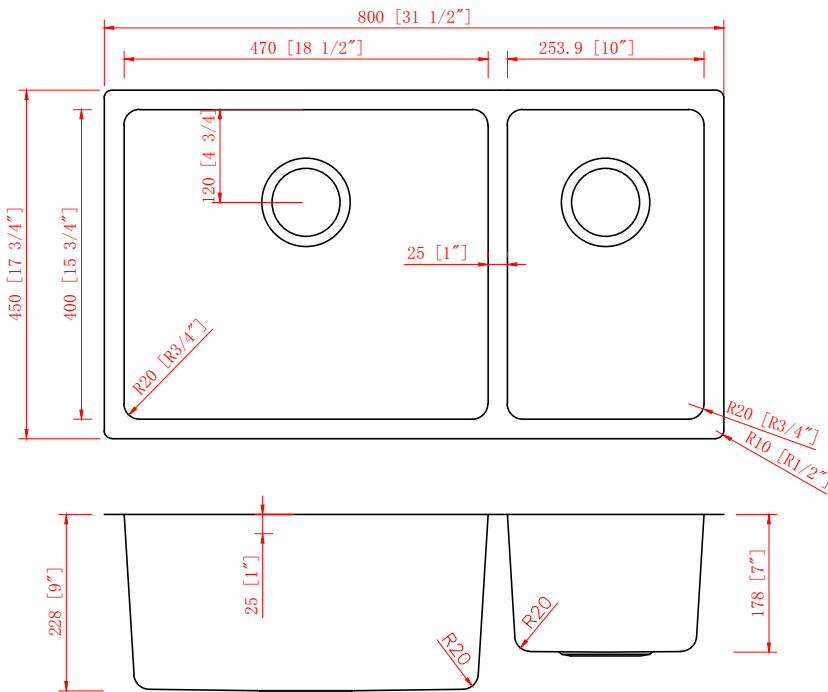


## Standard Series - Model: 207119

### Radius Corner

Rear positioned drain holes to maximize usable bowl and cabinet storage space below



### Specifications:

- Undermount
- 304 stainless steel
- 18 gauge
- Satin finish
- Bowl corner radius of 20mm
- Undermount clips
- Template
- Strainer
- 9" Deep

Outside: 31 1/2" x 17 3/4" x 9"  
Inside: 29 1/2" x 15 3/4" x 9"  
Bowl Size: 18 1/2" x 15 3/4" x 9"  
10" x 15 3/4" x 7"

Minimum cabinet size 34"

### Certification/Warranty

- ASME A 112.19.3
- CSA B45.4
- Limited Lifetime Warranty

### Optional Accessories



Plate Holder  
Model: 202041



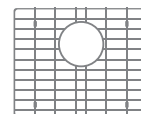
Cutting Board  
Model: 202020



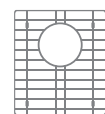
Colander  
Model: 202040



Roll Up Dish Drying Rack  
Model: 202039



Grid  
Model: G207119 B



Grid  
Model: G207119 S

*Bosco Canada Inc. is known around the world for producing high quality kitchen sinks that incorporate modern design and functional superiority in every piece they manufacture.*