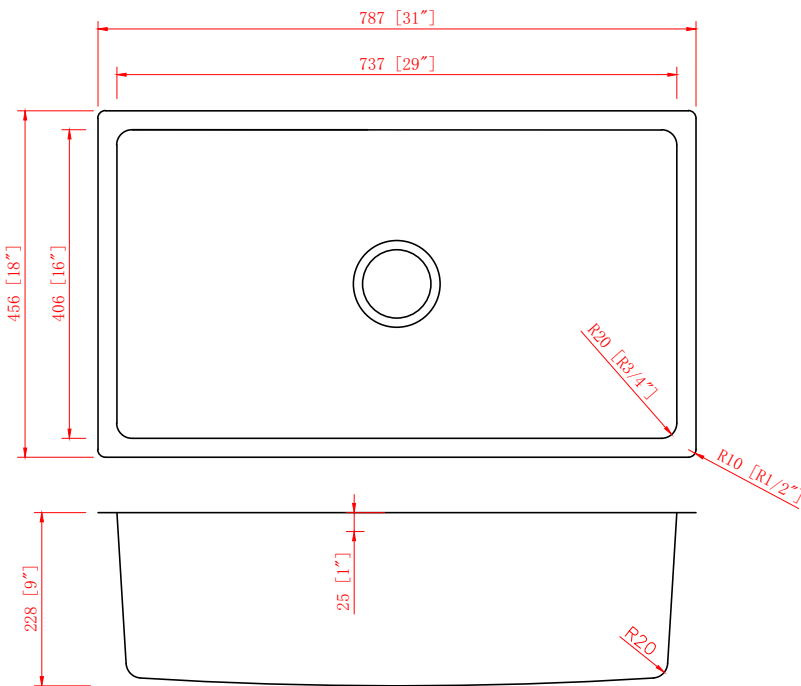
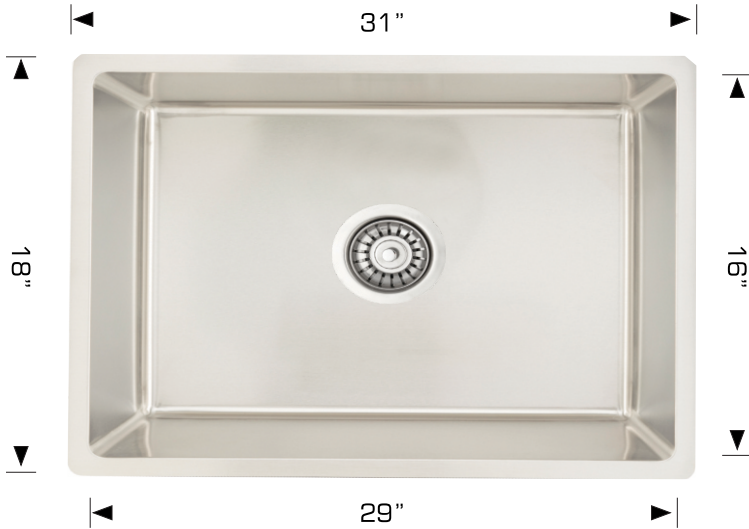


## Standard Series - Model: 207115

### Radius Corner



### Specifications:

- Undermount
- 304 stainless steel
- 18 gauge
- Satin finish
- Bowl corner radius of 20mm
- Undermount clips
- Template
- Strainer
- 9" Deep

Outside: 31" x 18" x 9"  
Inside: 29" x 16" x 9"

Minimum cabinet size 33"

### Certification/Warranty

- ASME A 112.19.3
- CSA B45.4
- Limited Lifetime Warranty

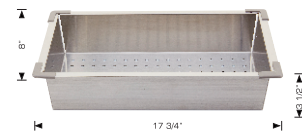
### Optional Accessories



Plate Holder  
Model: 202041



Cutting Board  
Model: 202020



Colander  
Model: 202040



Grid  
Model: G207115

*Bosco Canada Inc. is known around the world for producing high quality kitchen sinks that incorporate modern design and functional superiority in every piece they manufacture.*