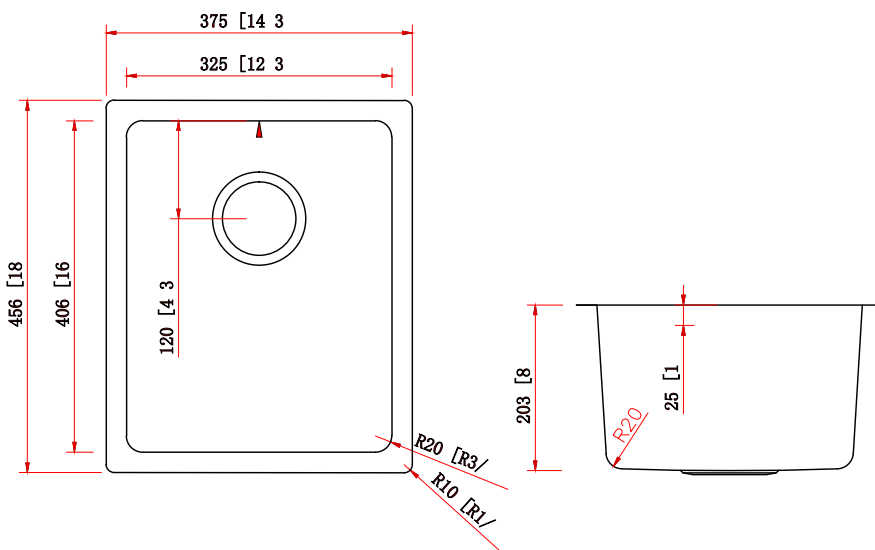
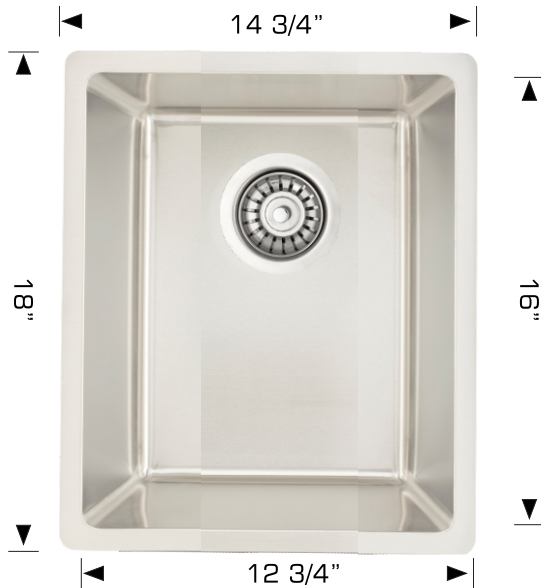


Standard Series - Model: 207111

Radius Corner

Rear positioned drain holes to maximize usable bowl and cabinet storage space below



Specifications:

Specifications

- Undermount
- 304 stainless steel
- 18 gauge
- Satin finish
- Bowl corner radius of 20mm
- Undermount clips
- Template
- Strainer
- 8" Deep

Outside: 14 3/4" x 18" x 8"
 Inside: 12 3/4" x 16" x 8"

Minimum cabinet size 17"

Certification/Warranty

- ASME A 112.19.3
- CSA B45.4
- Limited Lifetime Warranty

Optional Accessories



Model: G207111

Bosco Canada Inc. is known around the world for producing high quality kitchen sinks that incorporate modern design and functional superiority in every piece they manufacture.