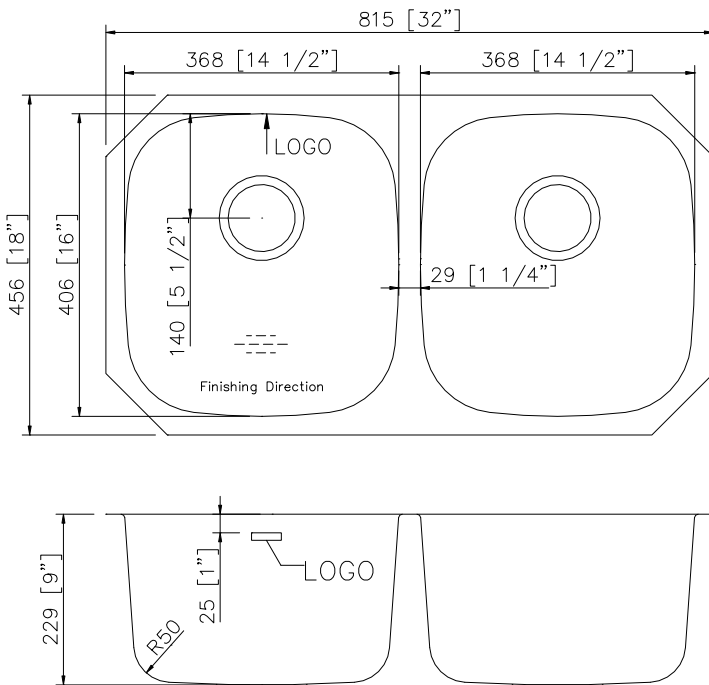


## Builder Series - Model: 207031B

### Undermount

Rear positioned drain to maximize usable bowl and cabinet storage space below



### Specifications:

- 304 stainless steel
- 18 gauge
- Strainers
- Undermount clips
- Template
- 9" Deep

Outside: 32" x 18" x 9"  
Inside: 30 1/4" x 16" x 9"  
Bowl Size: 14 1/2" x 16" x 9"  
14 1/2" x 16" x 9"

Minimum cabinet size 35"

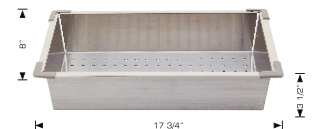
### Certification/Warranty

- ASME A 112.19.3
- CSA B45.4
- Limited Lifetime Warranty

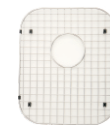
### Optional Accessories



Plate Holder  
Model: 202041



Colander  
Model: 202040



Grid  
Model: G207031



Cutting Board  
Model: 202020

*Bosco Canada Inc. is known around the world for producing high quality kitchen sinks that incorporate modern design and functional superiority in every piece they manufacture.*