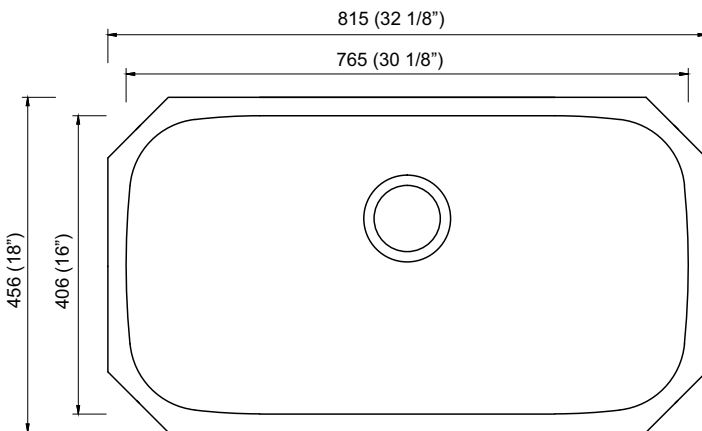


Builder Series - Model: 207026

Undermount



Specifications:

- 304 stainless steel
- 18 gauge
- Strainer
- Undermount clips
- Template
- 9" Deep

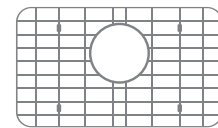
Outside: 32 1/8" x 18" x 9"
 Inside: 30 1/8" x 16" x 9"

Minimum cabinet size 35"

Certification/Warranty

- ASME A 112.19.3
- CSA B45.4
- Limited Lifetime Warranty

Optional Accessories



Grid
 Model: G207026



Plate Holder
 Model: 202041



Cutting Board
 Model: 202020

Bosco Canada Inc. is known around the world for producing high quality kitchen sinks that incorporate modern design and functional superiority in every piece they manufacture.