



Stainless Steel Sinks & Accessories

200108

Address : 5171 Steeles Ave West, Toronto M2N 3G7

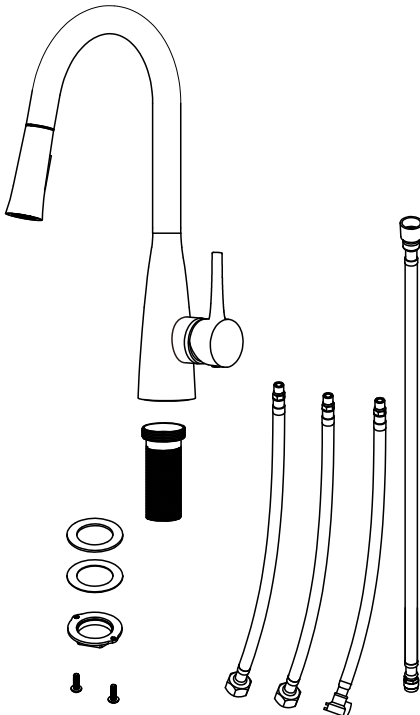
Installation Instruction

Single Handle Pull-down Kitchen Faucet



Before Your Installation

Check to make sure you have the following parts indicated below:



Tools You Will Need



Adjustable wrench



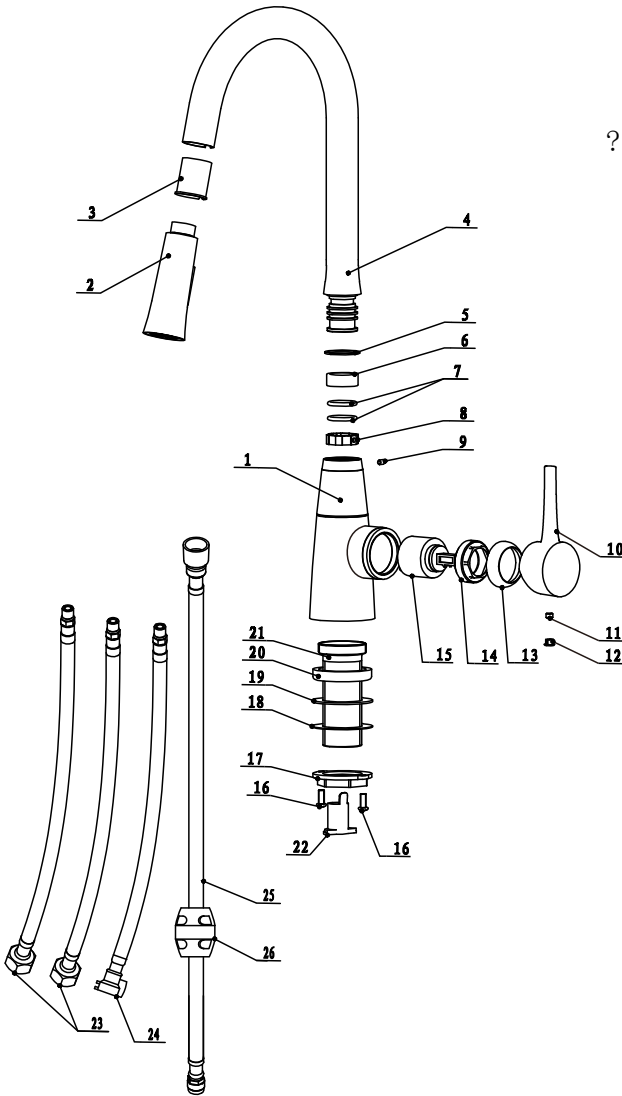
Gravity hammer



Phillips screwdriver

Replacement Parts

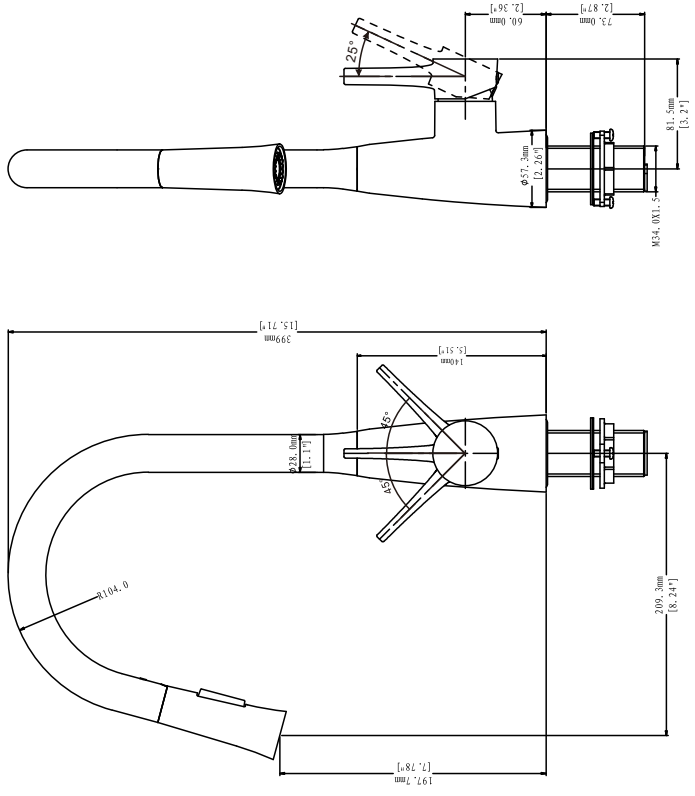
Keep this manual for ordering replacement parts.



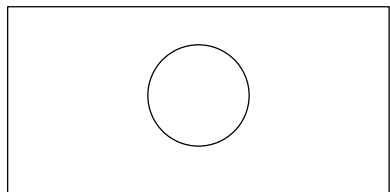
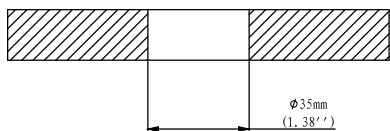
NO NAME

- | | |
|----|----------------------|
| 1 | Faucet body |
| 2 | Withdrawing shower |
| 3 | Plastic cover |
| 4 | Overall curved arm |
| 5 | Anti-friction gasket |
| 6 | Aprons |
| 7 | O-ring |
| 8 | Plastic lock ring |
| 9 | Screws |
| 10 | Handle knob |
| 11 | Screws |
| 12 | Cover cap |
| 13 | Cartridge holder |
| 14 | Lock nut |
| 15 | Cartridge |
| 16 | Screws |
| 17 | Locking nut |
| 18 | Metal washer |
| 19 | Rubber washer |
| 20 | Rubber gasket |
| 21 | Threaded pipe |
| 22 | Chafing tube |
| 23 | Hose |
| 24 | Fastening screw |
| 25 | Pull hose |
| 26 | Gravity hammer |

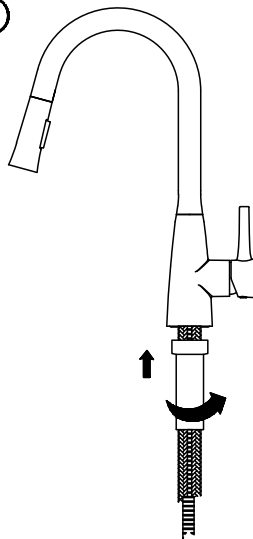
Product Dimension Drawing



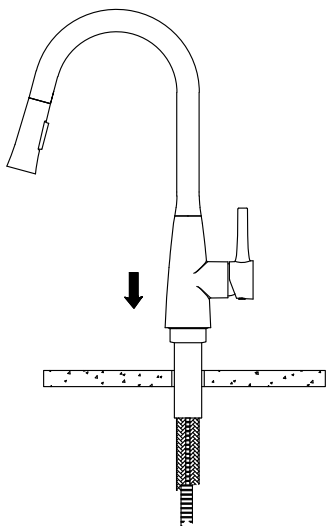
Faucet Installation Procedures



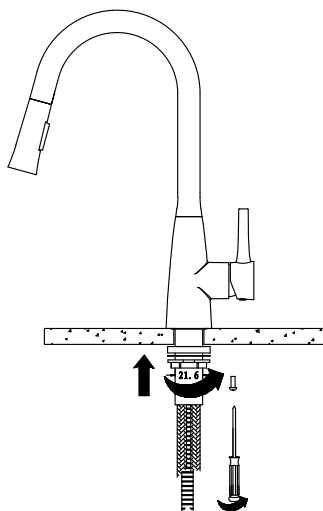
step ①



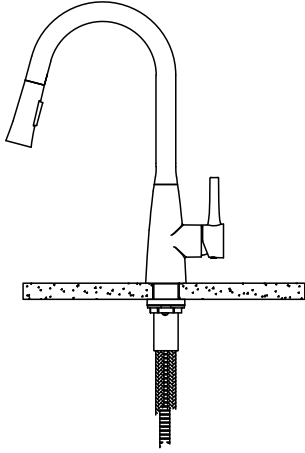
step ②



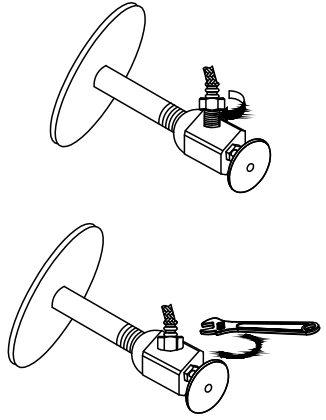
step ③



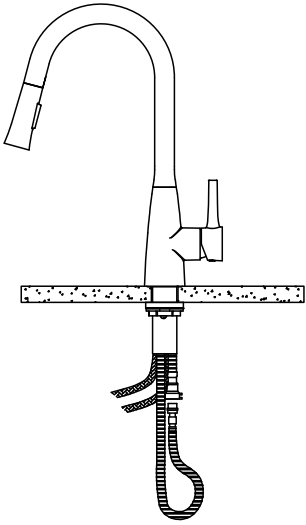
step ④



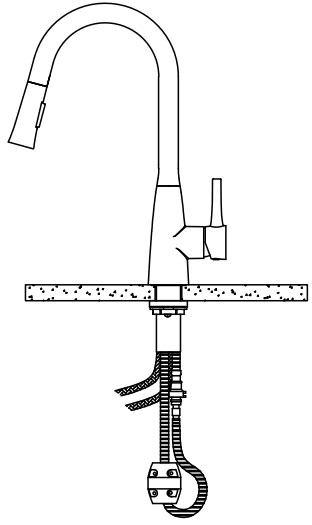
step ⑤



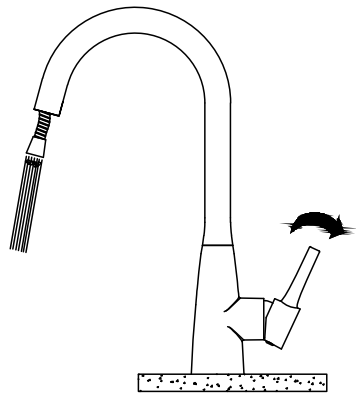
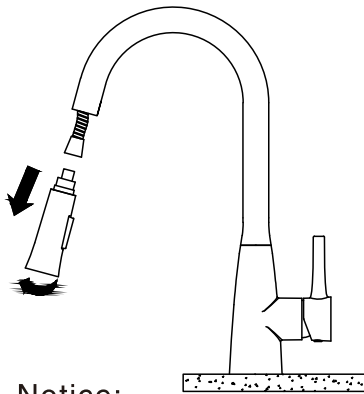
step ⑥



step ⑦



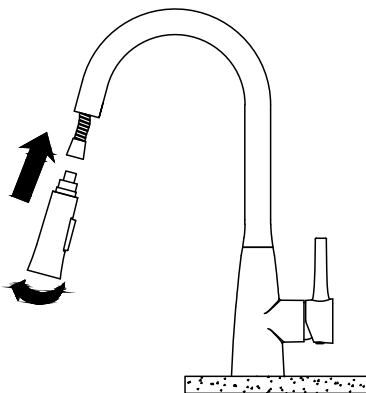
step ⑧



Notice:

Please removing all of the sand, silt and other things from the water hose before assembling, to avoid blocking the faucet and effecting water rate. Please use the special tools to disassemble it and wash with pneumatic equipment, if the faucet blocked.

step ⑨



step ⑩

