



Stainless Steel Sinks & Accessories

20036E

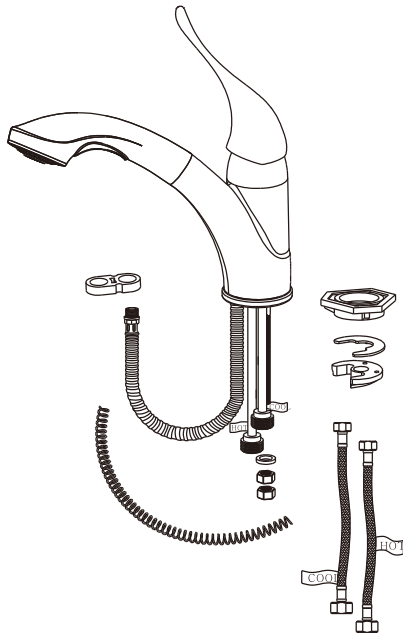
Address : 5171 Steeles Ave West, Toronto M2N 3G7

Installation Instruction

Single Lever Kitchen Faucet With Pull-out Sprayer

Before Your Installation

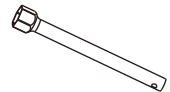
Check to make sure you have the following parts indicated below:



Tools You Will Need



Small spanner
(Supplied)



Tools for loosening
the hexagon nut
(supplied)



Adjustable wrench



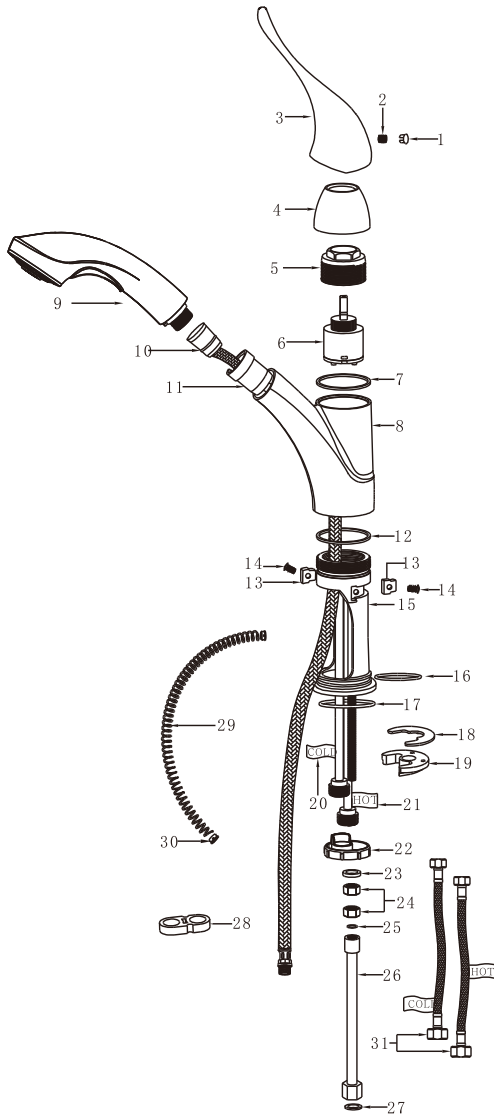
Phillips screwdriver



Spanner for aerator
(supplied)

Replacement Parts

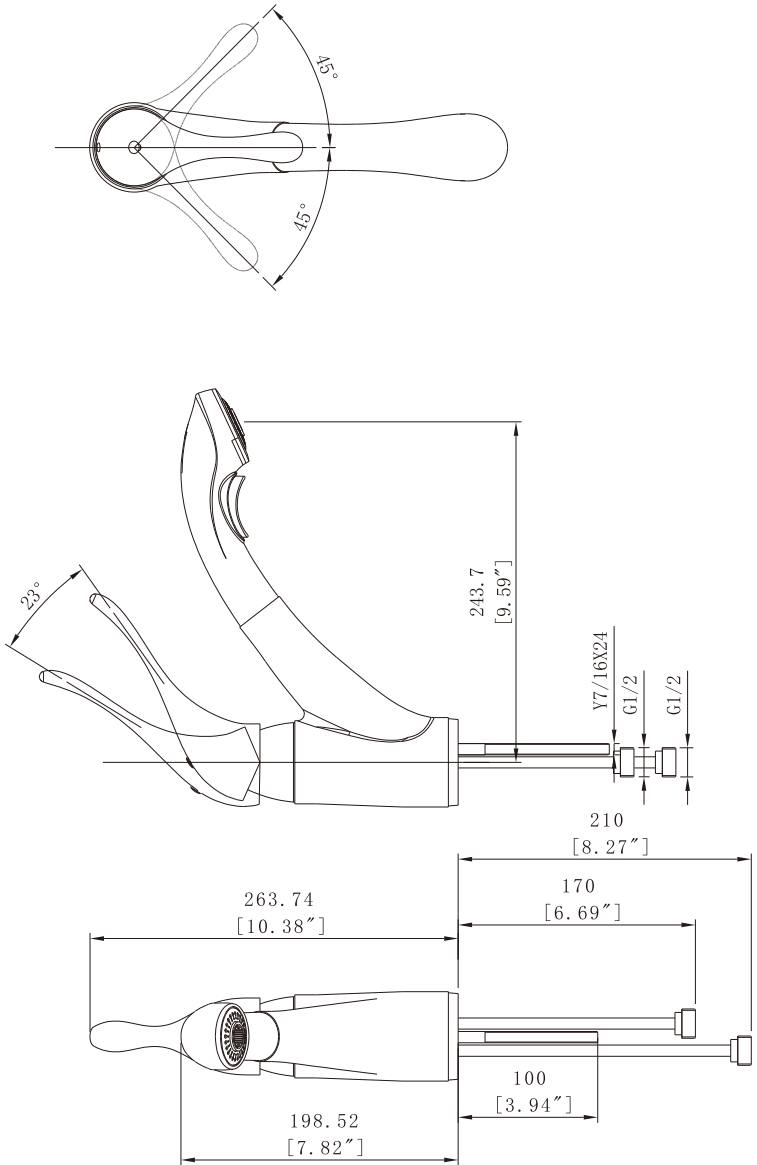
Keep this manual for ordering replacement parts.



NO NAME

1. Cover button
2. M6 screw
3. Handle
4. Cartridge cover
5. Fastening nut
6. Cartridge
7. O-ring
8. Faucet body
9. Pull-out sprayer
10. Black nylon hose
11. Plastic sleeve
12. O-ring
13. Noise silencer
14. M4 screw
15. Faucet body
16. O-ring
17. O-ring
18. Fastening rubber
19. Fastening gasket
20. Cold water mark
21. Hot water mark
22. Plastic locating sleeve
23. Fastening rubber
24. Fastening nut
25. O-ring
26. Extending pipe
27. Flat gasket
28. Plastic stop collar
29. Spring
30. Anti-friction sleeve
31. Hose

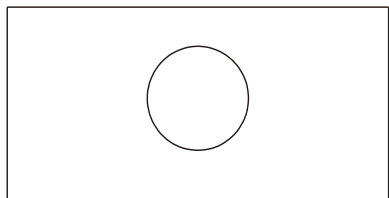
Product Dimension Drawing



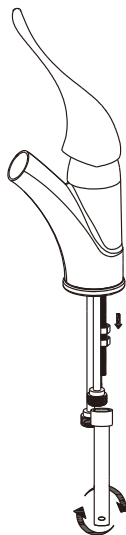
Faucet Installation Procedures



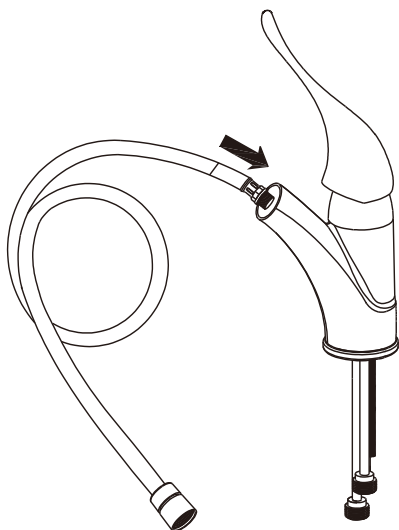
$\phi 35\text{mm}$
(1.38'')



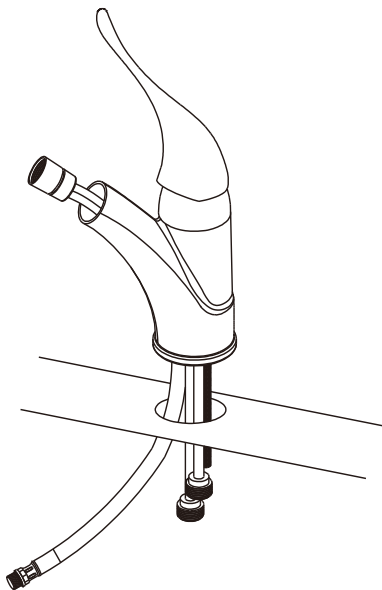
step ①



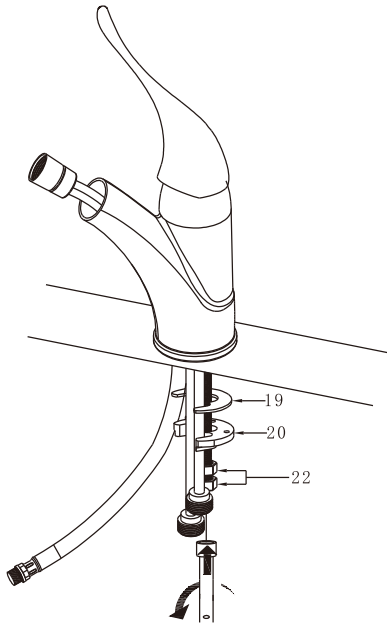
step ②



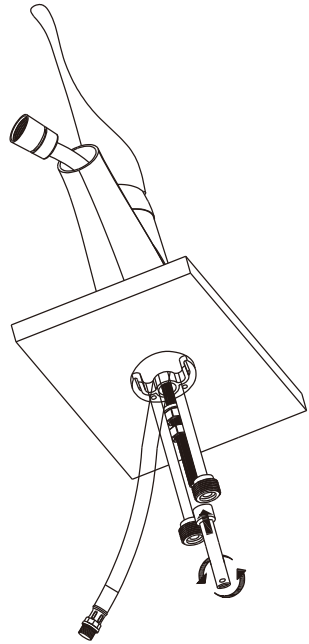
step ③



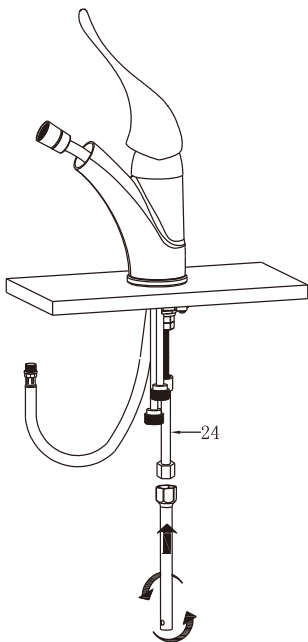
step ④



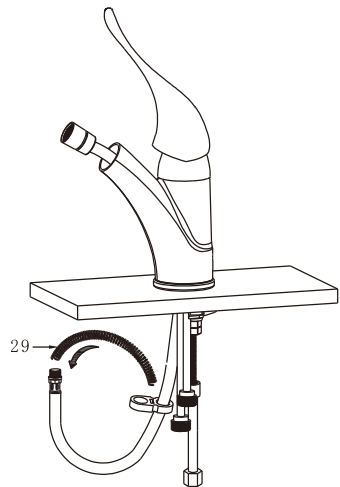
step ⑤



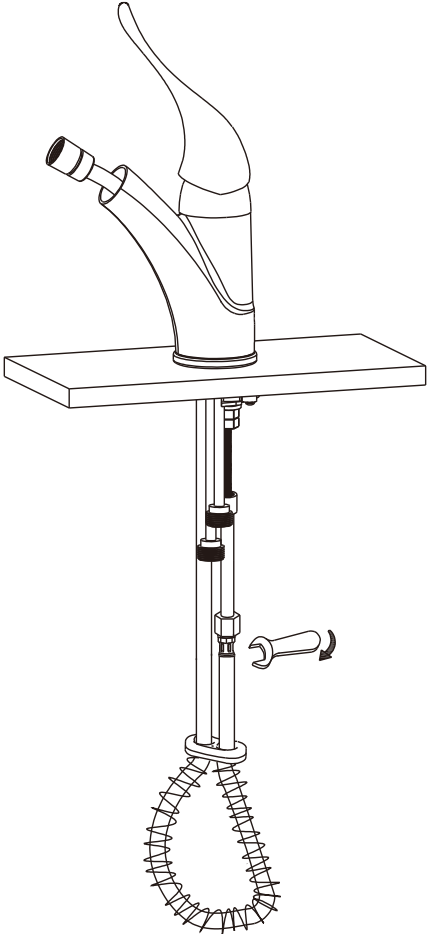
step ⑥



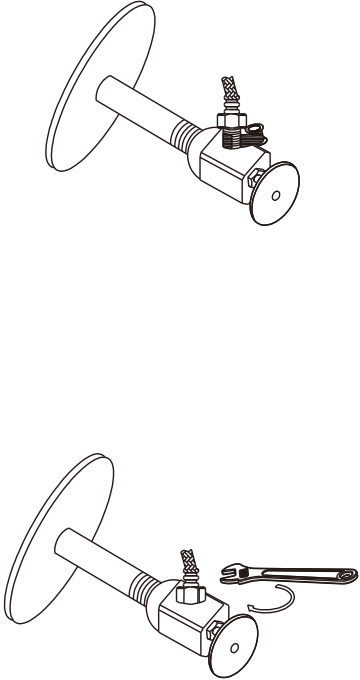
step ⑦



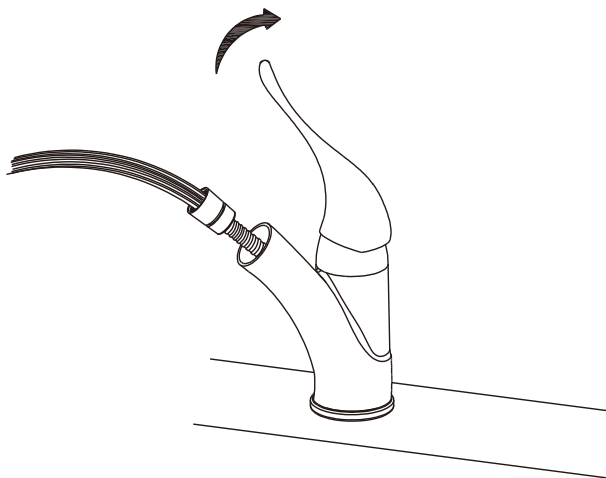
step ⑧



step ⑨



step ⑩



step ⑪

