



Stainless Steel Sinks & Accessories

200090

Address : 5171 Steeles Ave West, Toronto M2N 3G7

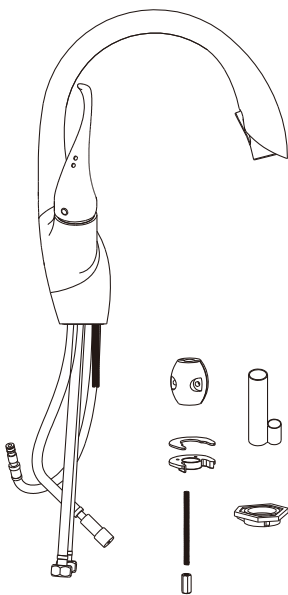
Installation Instruction

Single Handle Pull-down Kitchen Faucet



Before Your Installation

Check to make sure you have the following parts indicated below:



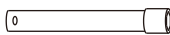
Tools You Will Need



Adjustable wrench



Adjustable wrench



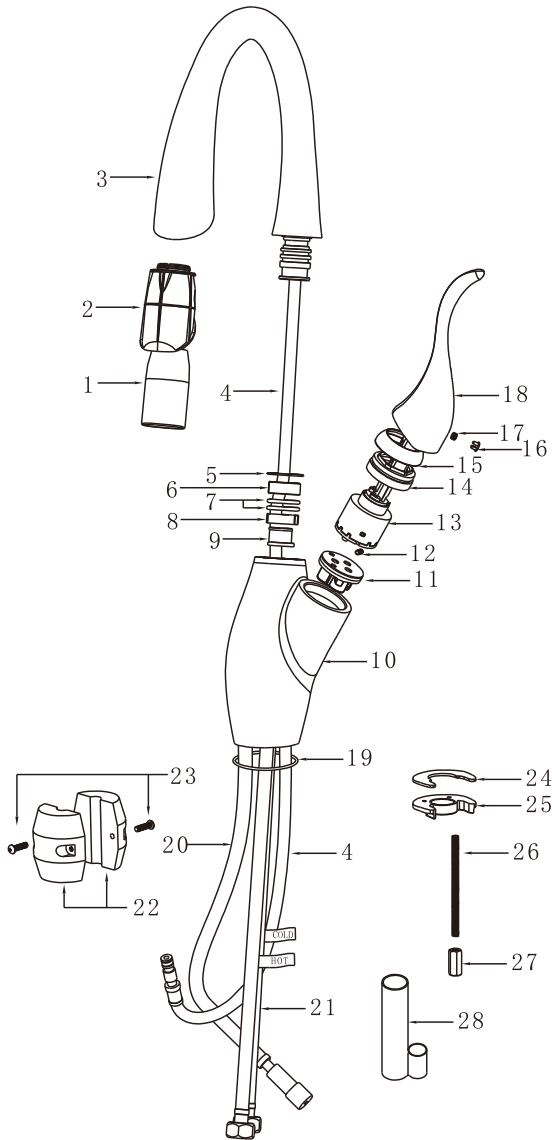
Spanner for body
(supplied)



Phillips screwdriver

Replacement Parts

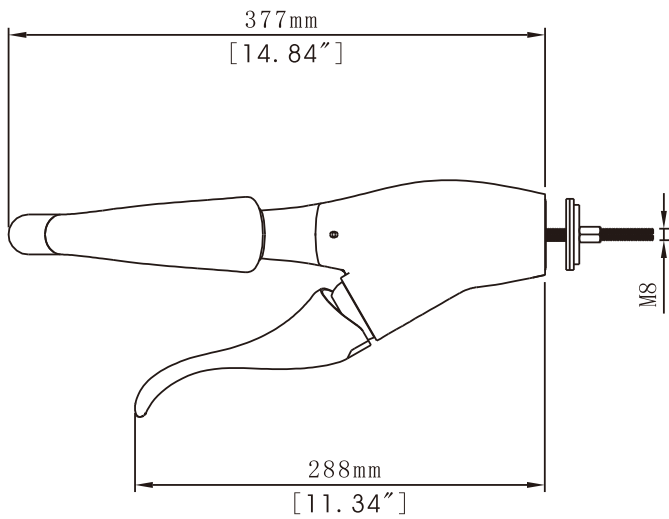
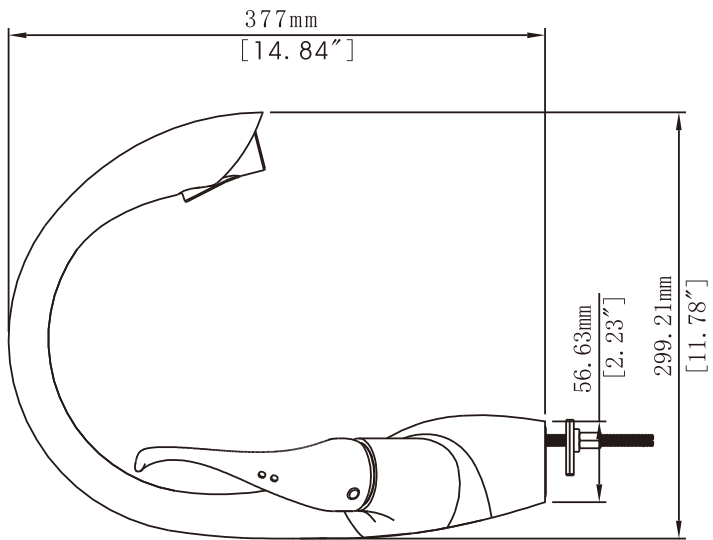
Keep this manual for ordering replacement parts.



NO NAME

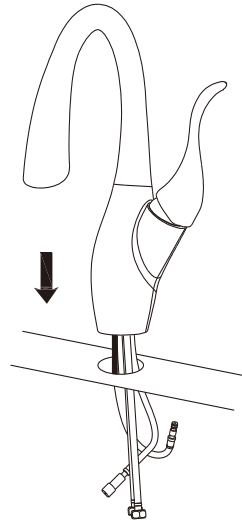
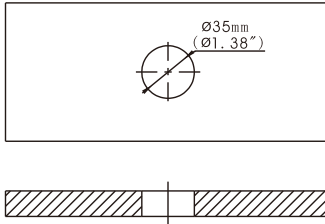
1. Nozzle
2. Positioning pouches
3. Overall curved arm
4. Pull hose
5. Anti-friction gasket
6. Plastic cover
7. O-ring
8. Plastic cover
9. Noices muffler
10. Faucet body
11. Seat
12. Screw
13. Cartridge
14. Lock nut
15. Cartridge holder
16. Decorative buttons
17. Screw
18. Handle
19. Bottom gaske
20. Into the watert
21. Hose
22. Gravity Hammer
23. Phillips-skrugar
24. Rubber gasket
25. Stainless steel gasket
26. Tightening the screw
27. Tighten hex nuts
28. Pull tube fixed set

Product Dimension Drawing

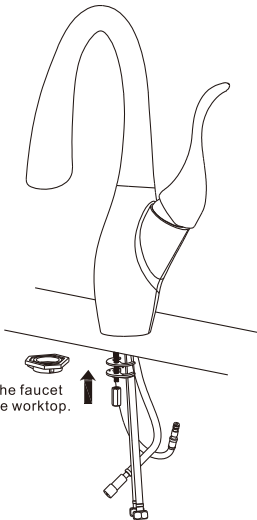


Faucet Installation Procedures

step ①

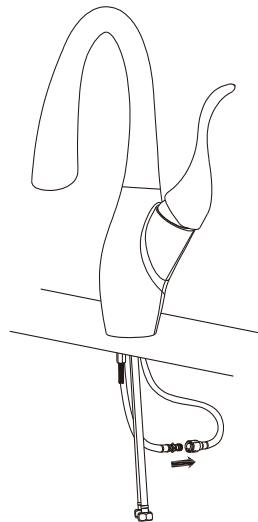


step ②

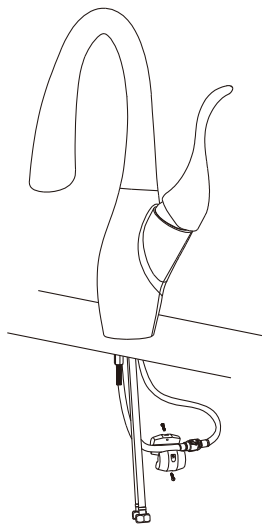


Add the part if the faucet is not firm on the worktop.

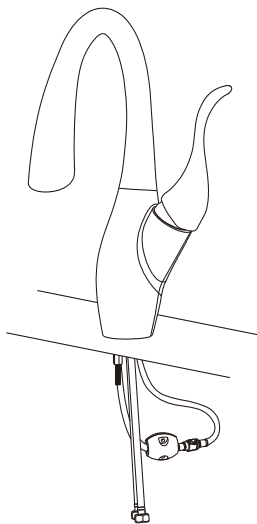
step ③



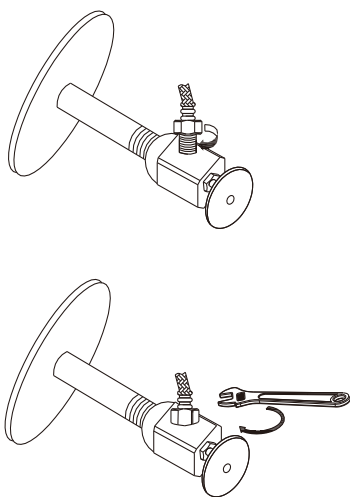
step ④



step ⑤



step ⑥



step ⑦

