



Stainless Steel Sinks & Accessories

**200A19B**

Address : 5171 Steeles Ave West, Toronto M2N 3G7

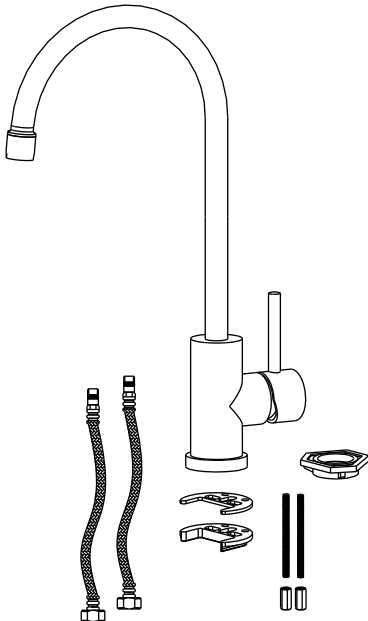
# Installation Instruction

## Single Handle Kitchen Faucet



### Before Your Installation

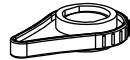
Check to make sure you have the following parts indicated below:



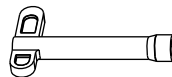
### Tools You Will Need



Adjustable wrench



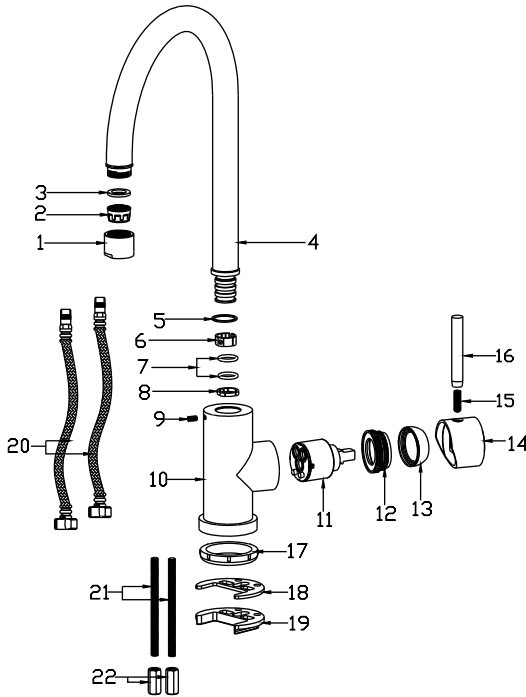
Spanner for aerator  
(supplied)



Spanner for body  
(supplied)

# Replacement Parts

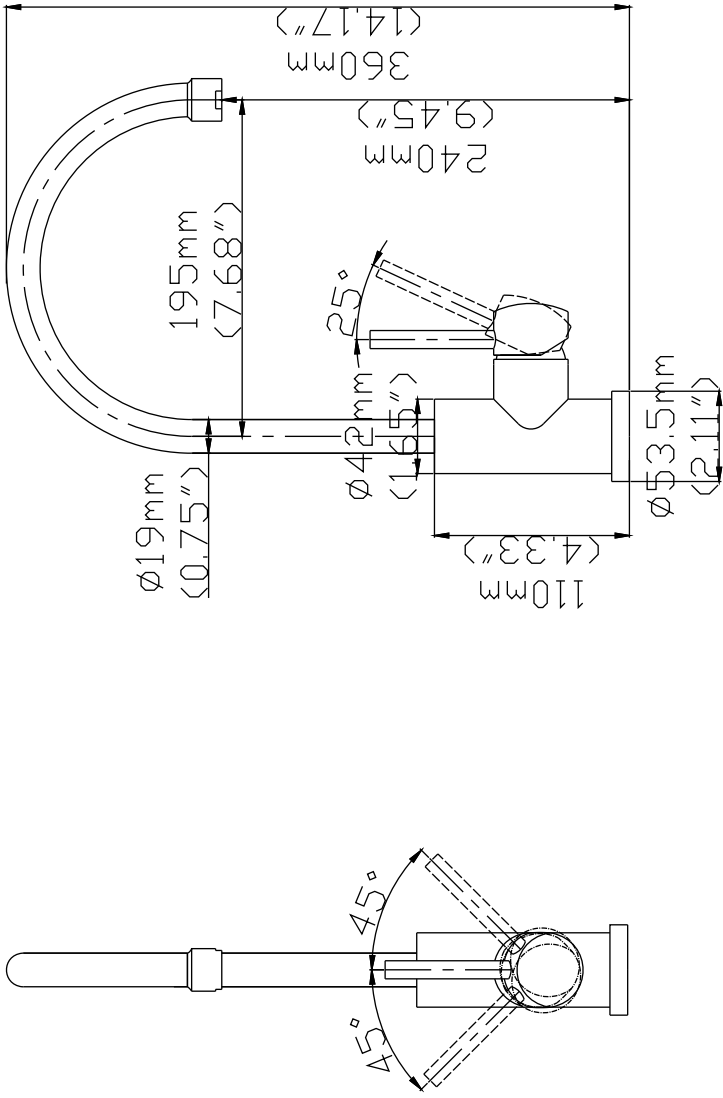
Keep this manual for ordering replacement parts.



## NO NAME

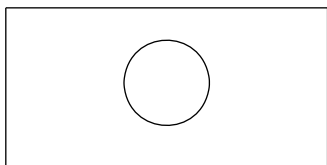
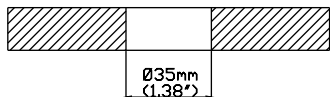
1. Aerator holder
2. Aerator
3. Gasket
4. Spout
5. Anti-friction gasket
6. Plastic lock ring
7. O-ring
8. Plastic lock ring
9. Screw
10. Faucet body
11. Cartridge
12. Lock nut
13. Cartridge holder
14. Handle body
15. Screw
16. Knob
17. Bottom plastic
18. Rubber gasket
19. Stainless steel gasket
20. Hose
21. Lock screw
22. Lock nut

# Product Dimension Drawing

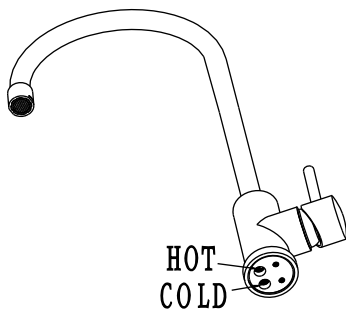


# Faucet Installation Procedures

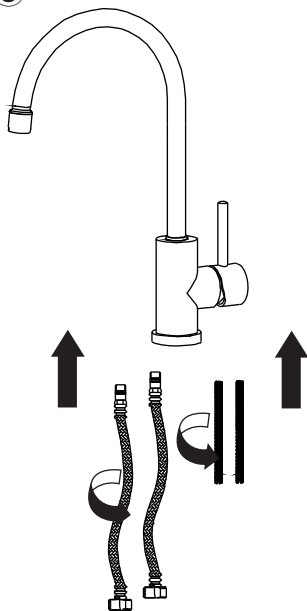
Step ①



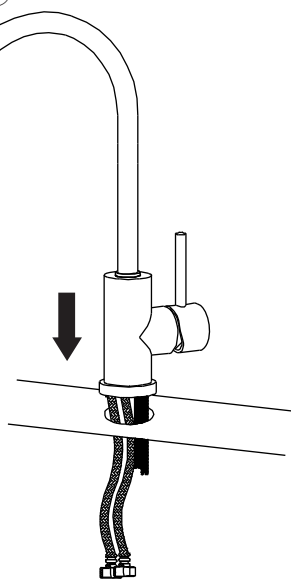
Step ②



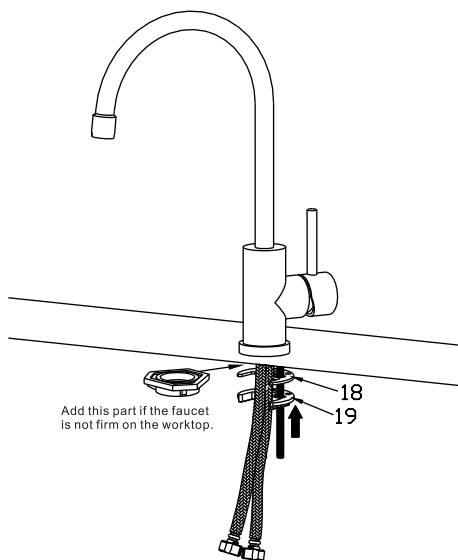
Step ③



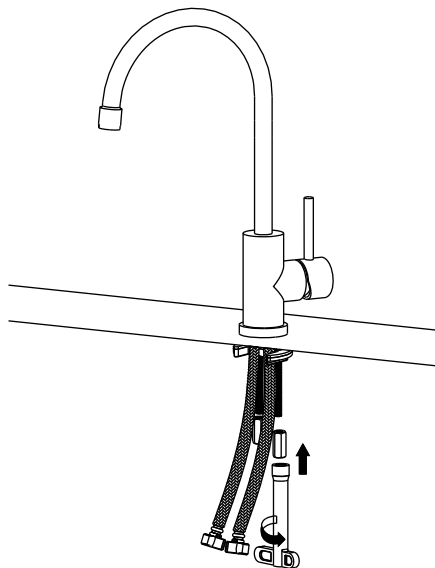
Step ④



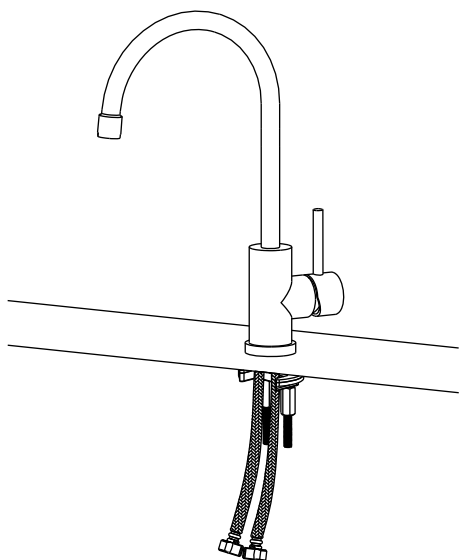
### Step ⑤



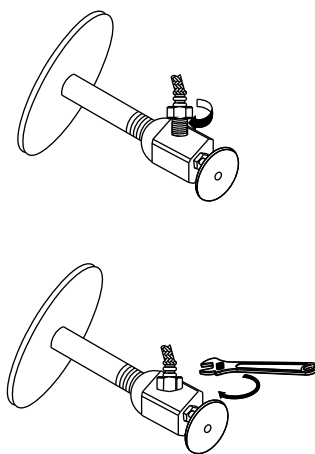
### Step ⑥



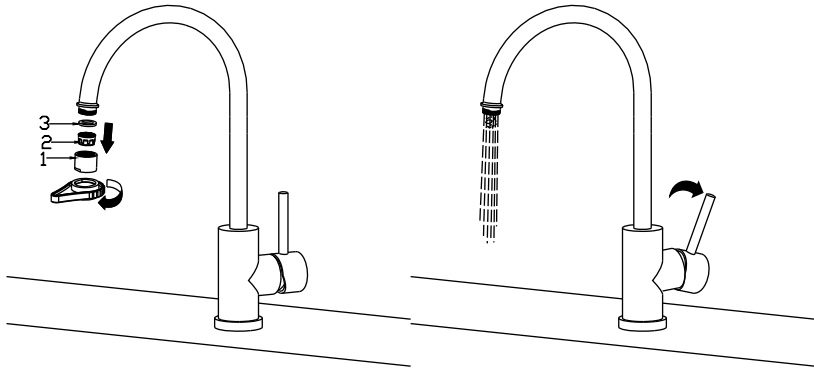
### Step ⑦



### Step ⑧



## Step ⑨



### Notice:

Please removing all of the sand, silt and other things from the water hose before assembling, to avoid blocking the faucet and effecting water rate. Please use the special tools to disassemble it and wash with pneumatic equipment, if the faucet blocked.