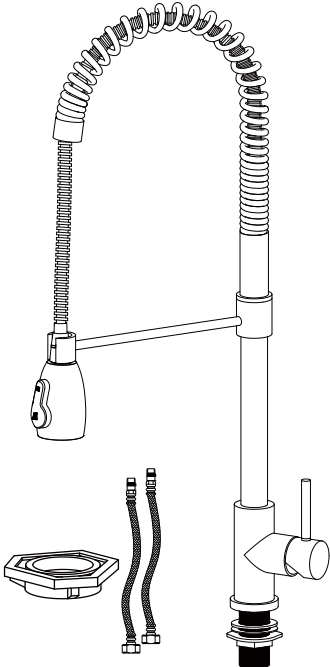


Installation Instruction

Single Handle Pre-Rinse Kitchen Faucet

Before Your Installation

Check to make sure you have the following parts indicated below:



Tools You Will Need



Adjustable wrench



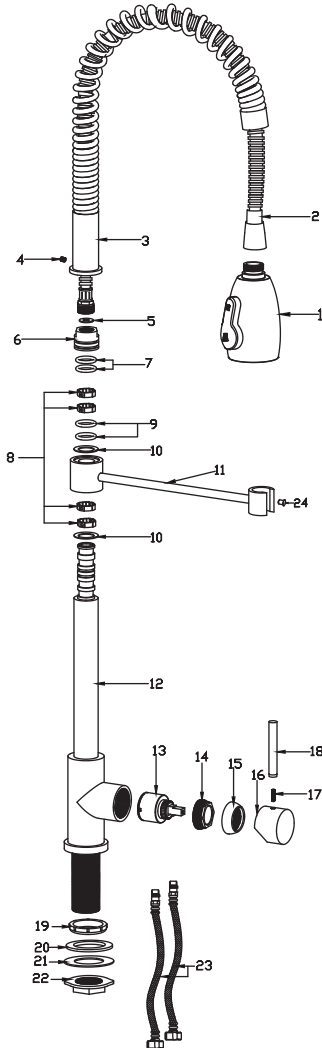
Foaming plate in hand



Spanner for aerator (supplied)

Replacement Parts

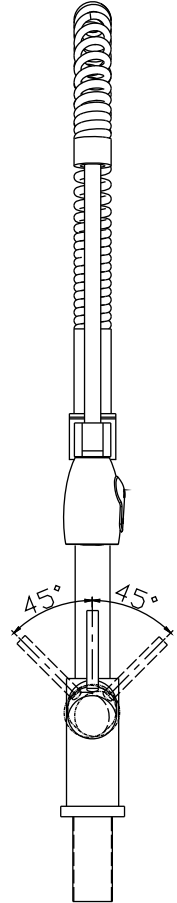
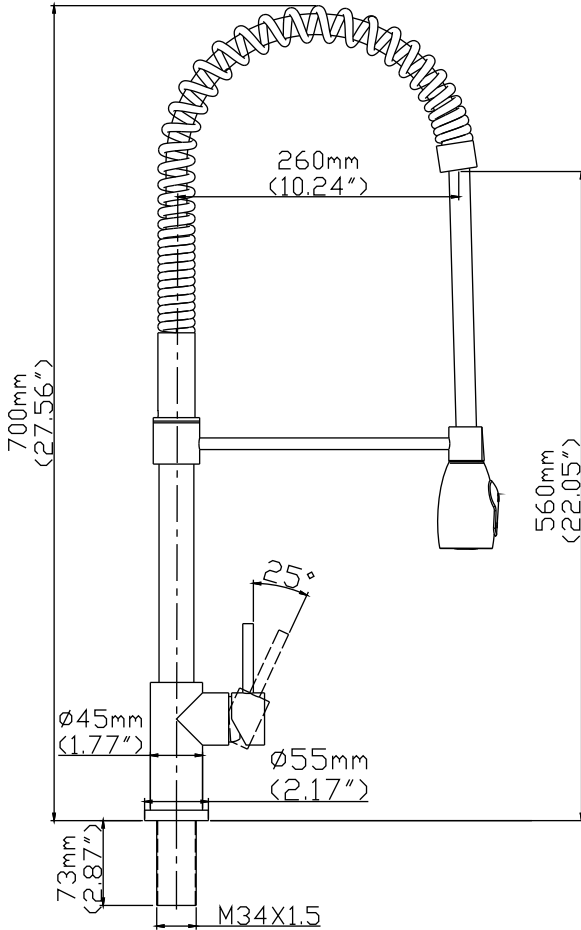
Keep this manual for ordering replacement parts.



NO NAME

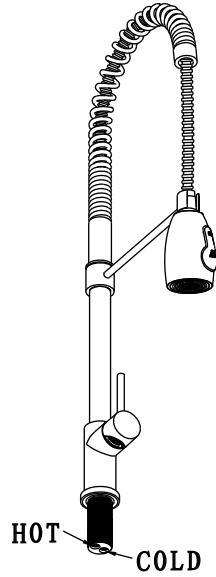
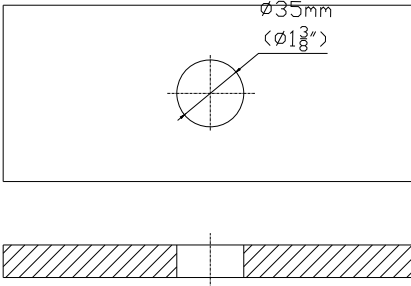
1. Shower head
2. Hose
3. The curved arm
4. M5 screws
5. Washer
6. Joint
7. O ring
8. Clamping ring
9. O ring
10. White washer
11. Swing arm
12. The main assembly
13. Valve core
14. Valve cover
15. Decorative cover
16. Handle cover
17. M6 screws
18. Handle lever
19. U type bottom ring
20. The fastening rubber pad
21. The fastening gasket
22. The fastening nut
23. Hose
24. Positioning of plastic cards

Product Dimension Drawing

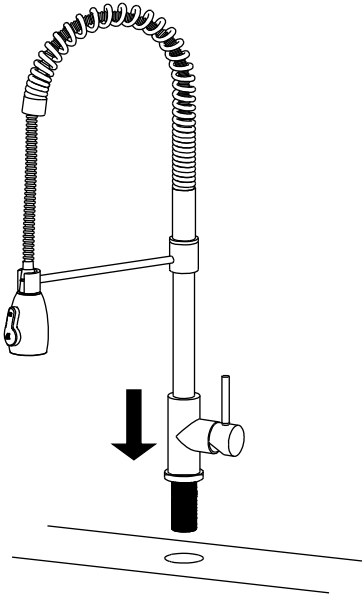


Faucet Installation Procedures

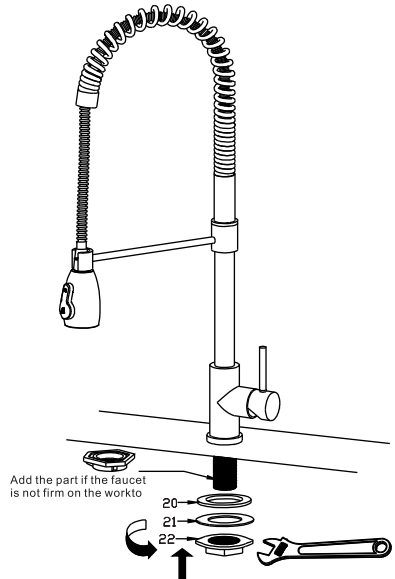
Step ①



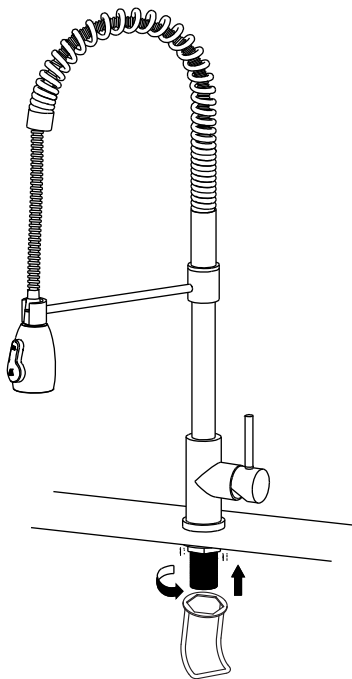
Step ②



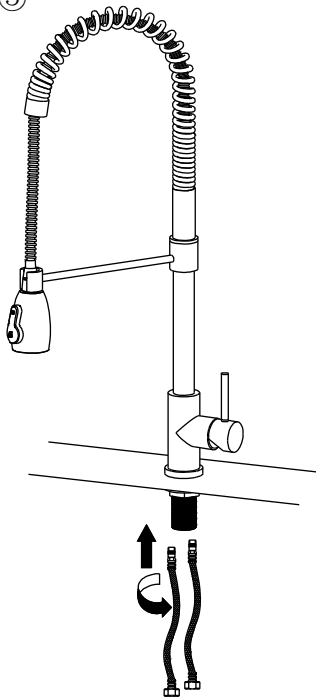
Step ③



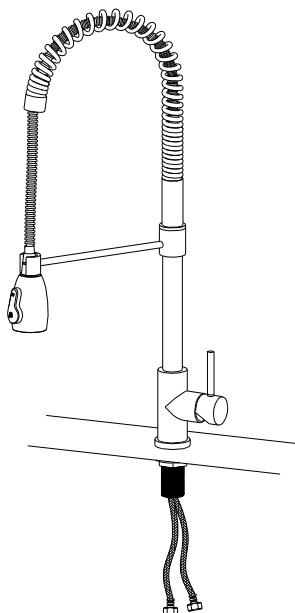
Step ④



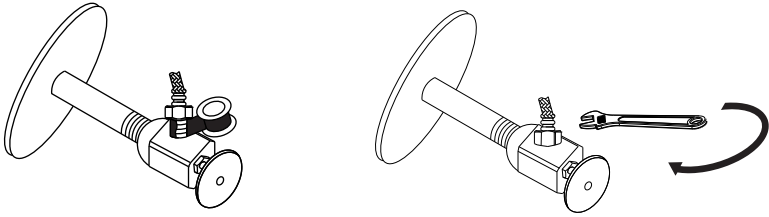
Step ⑤



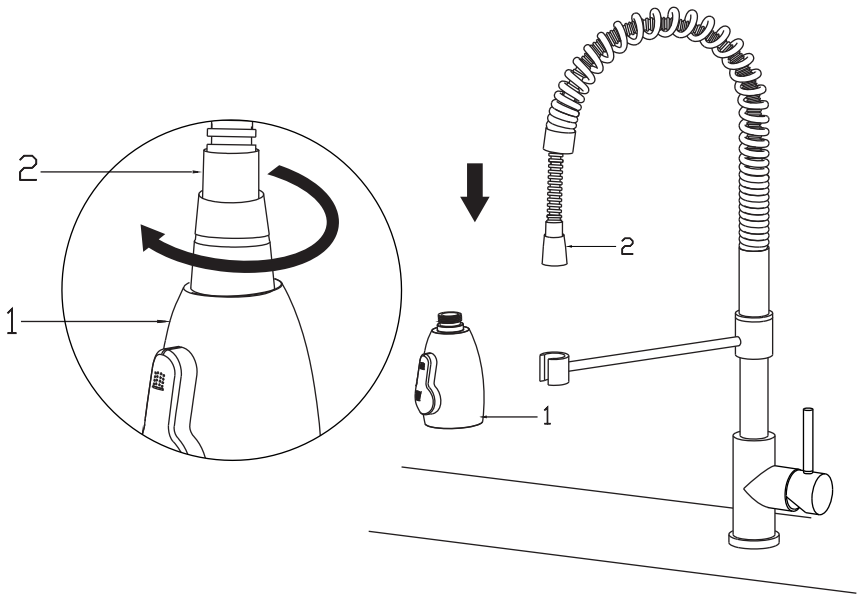
Step ⑥



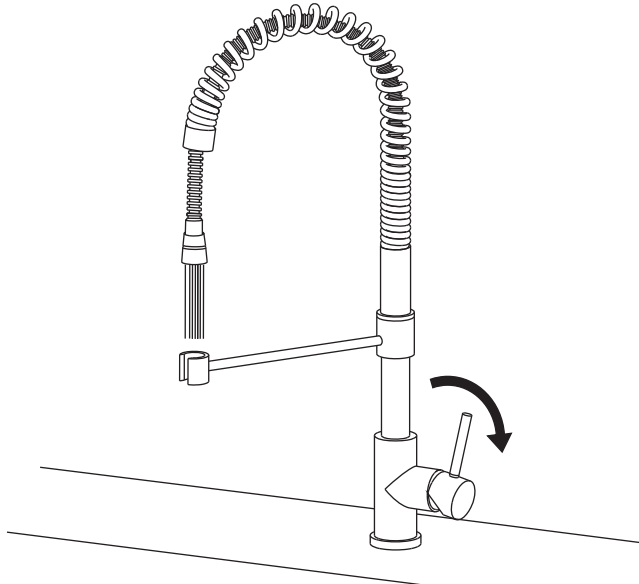
Step ⑦



Step ⑧



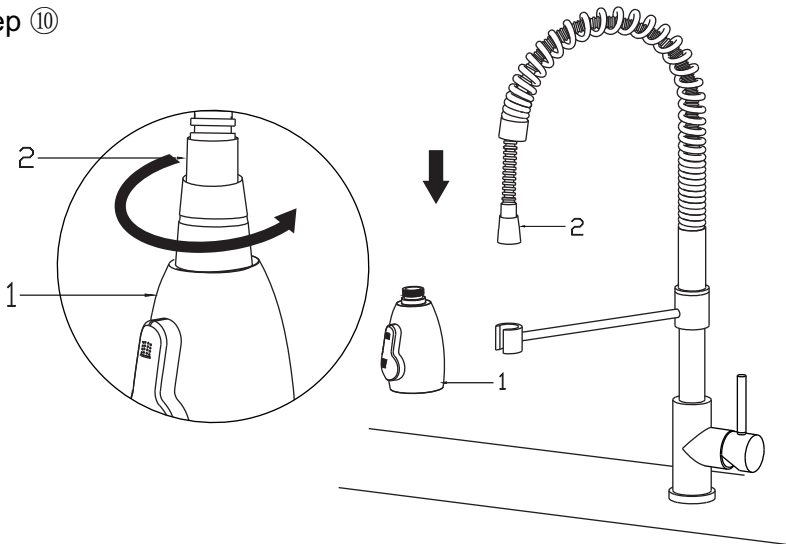
Step ⑨



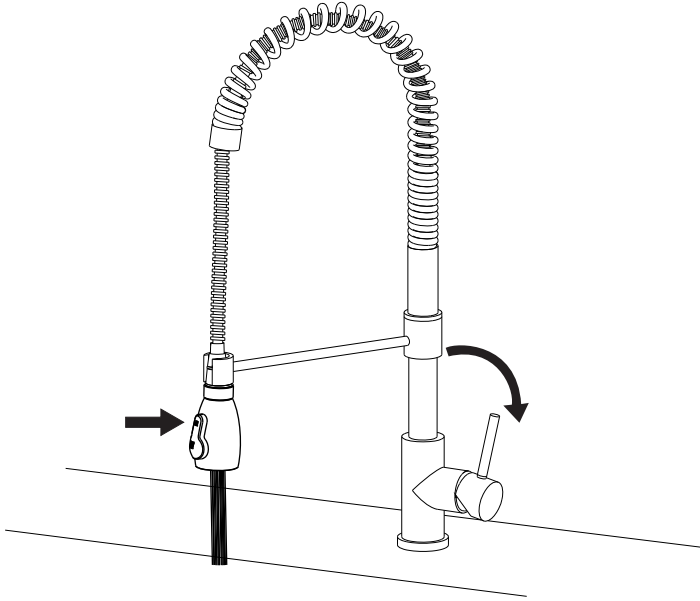
Notice:

Please removing all of the sand, silt and other things from the water hose before assembling, to avoid blocking the faucet and effecting water rate. Please use the special tools to disassemble it and wash with pneumatic equipment, if the faucet blocked.

Step ⑩



Step ⑪



Step ⑫

