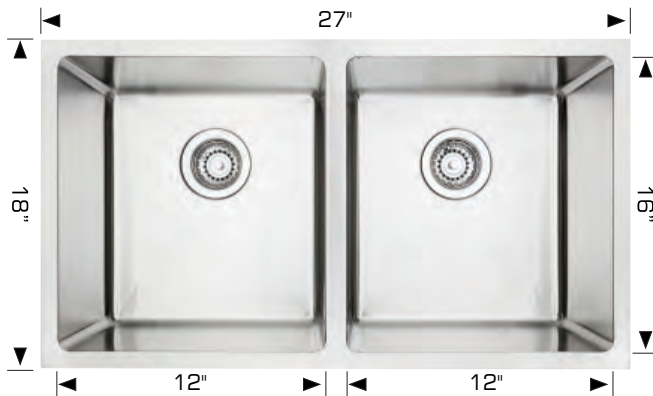


## Universal Design Series - Model: 2027D5

### Radius Corner

Rear positioned drain holes to maximize usable bowl and cabinet storage space below



### Specifications:

- Handcrafted
- 304 Stainless Steel 18 Gauge
- 18/10 Chrome Nickel Content
- Bowl Corner Radius of 15 mm
- Undermount Clips
- Template
- Stainless Steel Strainer
- 5 1/2" Deep

Outside: 27" x 18" x 5 1/2"  
 Inside: 25" x 16" x 5 1/2"  
 Bowl Size: 12" x 16" x 5 1/2"  
 12" x 16" x 5 1/2"

Minimum cabinet size 30"

### Certification/Warranty

- ASME A 112.19.3
- CSA B45.4
- AODA
- CSA Z8000
- Limited Lifetime Warranty

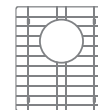
### Optional Accessories



Model: 202041 - Plate Holder



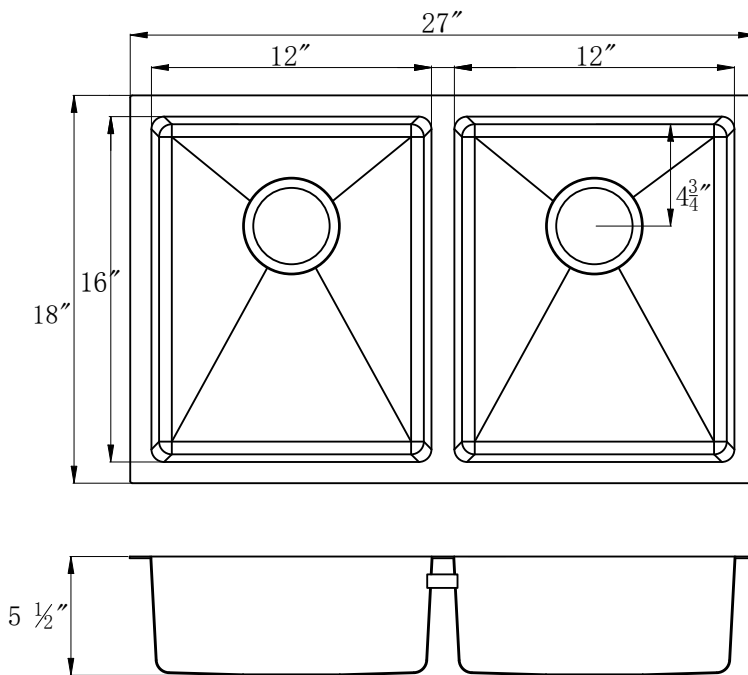
Model: 202040 - Colander



Model: G2027D5 - Grid



Model: 202020 - Cutting Board



*Bosco Canada Inc. is known around the world for producing high quality kitchen sinks that incorporate modern design and functional superiority in every piece they manufacture.*