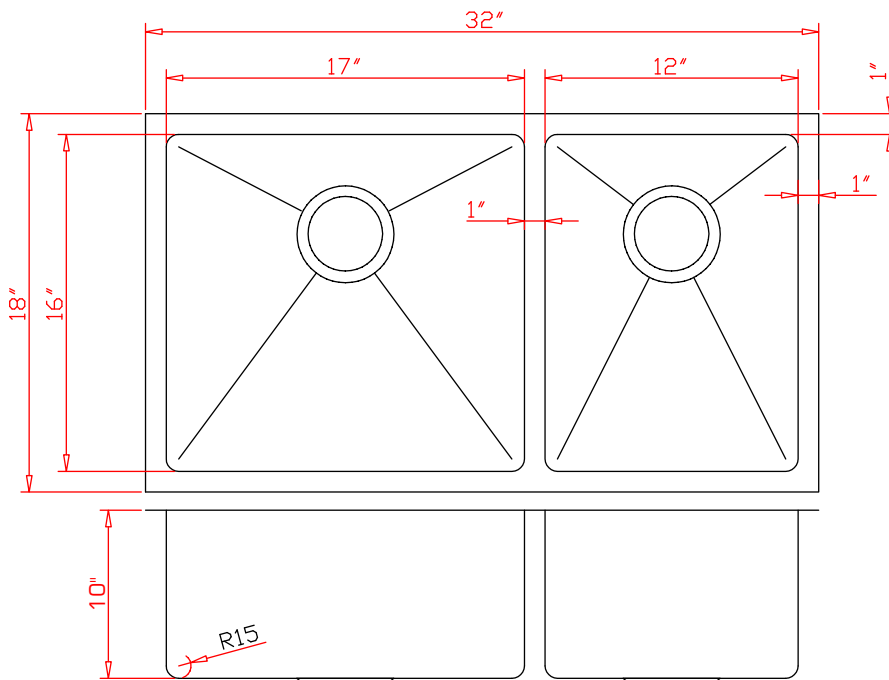


Super Series - Model:208042 Undermount

Rear positioned drain to maximize usable bowl and cabinet storage space below



Specifications:

- Handcrafted
- 304 Stainless Steel
- 18 Gauge
- 18/10 Chrome Nickel Content
- Bowl Corner Radius of 15 mm
- Strainer
- Clips
- Template
- 10" Deep

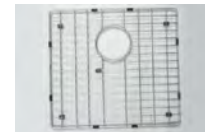
Outside: 32" x 18" x 10"
 Inside: 30" x 16" x 10"
 Bowl Size: 17" x 16" x 10"
 12" x 16" x 10"

Minimum Cabinet Size 35"

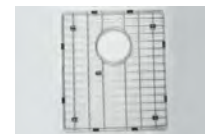
Certification/Warranty

- ASME A 112.19.3
- CSA B45.4
- Limited Lifetime Warranty

Optional Accessories



Model: G208042B
Grid



Model: G208042S
Grid



Model: 202020
Cutting Board



Model: 202041
Plate Holder

Bosco Canada Inc. is known around the world for producing high quality kitchen sinks that incorporate modern design and functional superiority in every piece they manufacture.