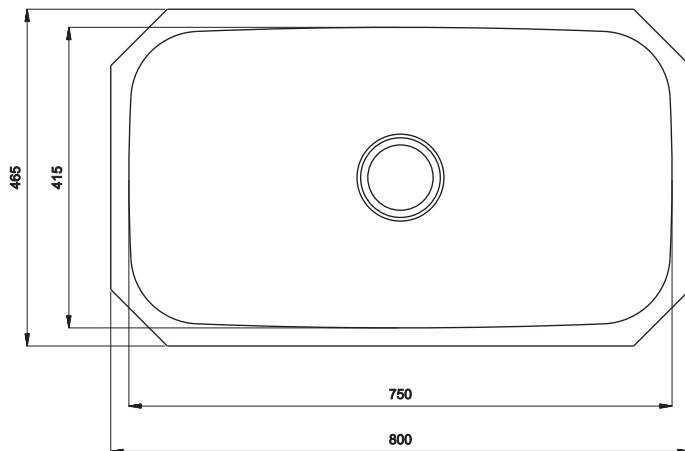
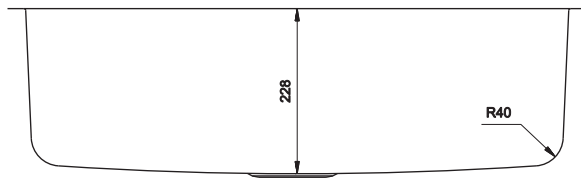


Super Series - Model:207009B Undermount Radius Corner R30



Specifications:

- 304 Stainless Steel
- 18 Gauge
- Side Mirror Finish
- Bottom Mirror Finish
- Strainer
- Undermount Clips
- Template
- 9" Deep

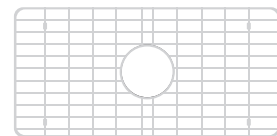
Outside: 31 1/4" x 18" x 9"
Inside: 29 1/4" x 16" x 9"

Minimum Cabinet Size 34"

Certification/Warranty

- ASME A 112.19.3
- CSA B45.4
- Limited Lifetime Warranty

Optional Accessories



Grid - Model: G207009



Plate Holder - Model: 202041



Roll Up Dish Drying Rack - Model: 202043

Bosco Canada Inc. is known around the world for producing high quality kitchen sinks that incorporate modern design and functional superiority in every piece they manufacture.