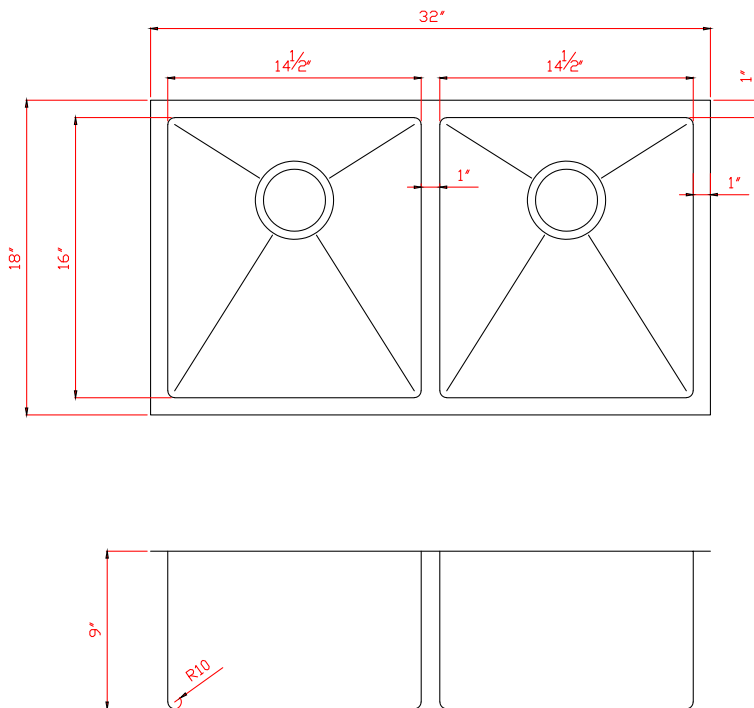
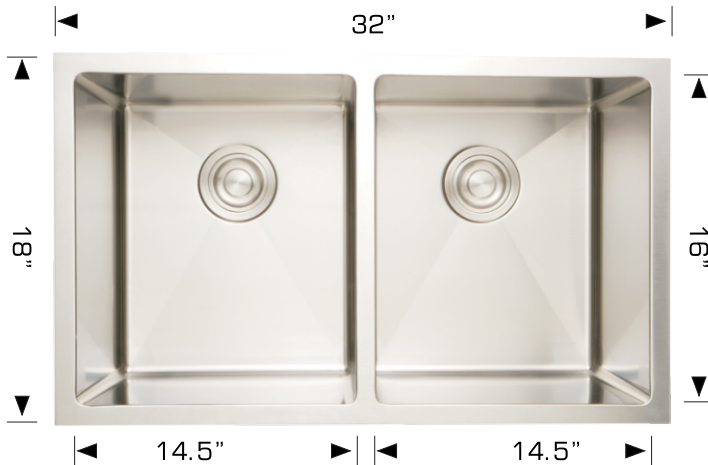


## Standard Series - Model:208001Plus

### Radius Corners

Rear positioned drain holes to maximize usable bowl and cabinet storage space below



### Specifications:

- Handcrafted
- 304 Stainless Steel
- 18 Gauge
- Bowl Corner Radius of 10 mm
- Undermount clips
- Template
- Stainless Steel Strainers
- Brushed Finish Bowl
- 9" Deep

Outside: 32" x 18" x 9"

Inside: 30" x 16" x 9"

Bowl Size: 14 1/2" x 16" x 9"  
14 1/2" x 16" x 9"

Minimum cabinet size 35"

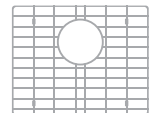
### Certification/Warranty

- ASME A 112.19.3
- CSA B45.4
- Limited Lifetime Warranty

### Accessories Included



Strainer  
Model: 202010



Grid  
Model: G208001



Plate Holder  
Model: 202041



Basket  
Model: 202040

### Optional Accessories



Strainer  
Model: 202012



Cutting Board  
Model: 202020

*Bosco Canada Inc. is known around the world for producing high quality kitchen sinks that incorporate modern design and functional superiority in every piece they manufacture.*