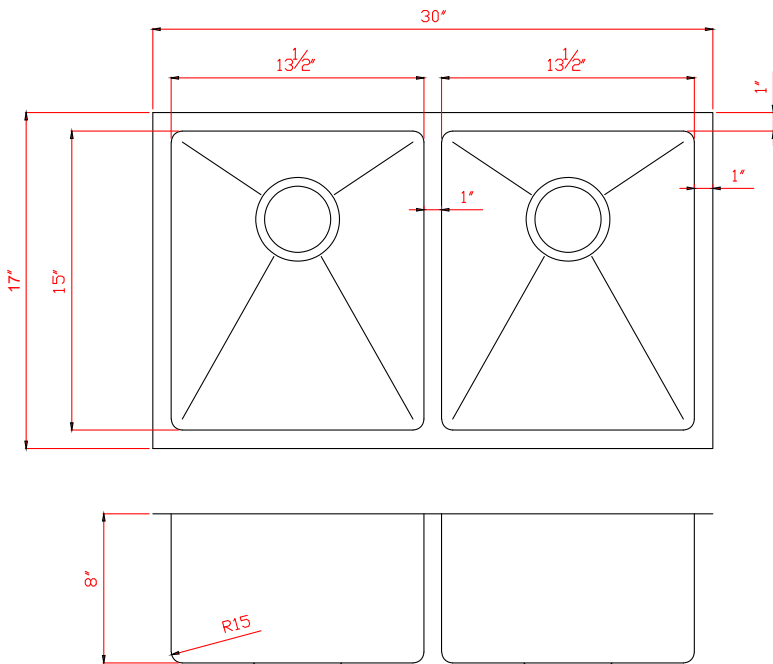
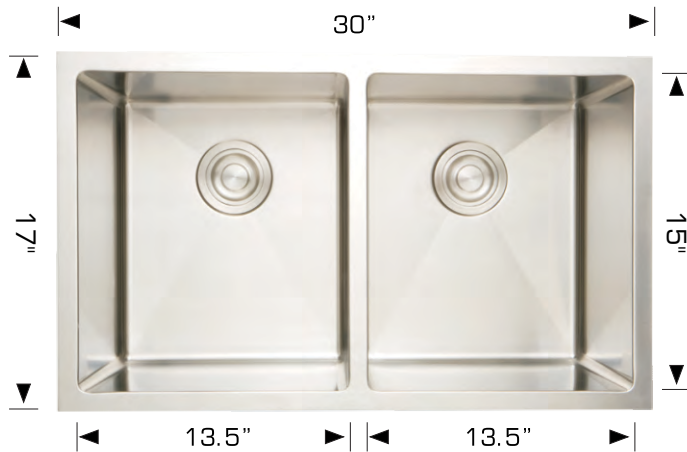


Standard Series - Model: 201708 Plus

Radius Corner

Rear positioned drain holes to maximize usable bowl and cabinet storage space below



Specifications:

- Handcrafted
- 304 Stainless Steel
- 16 Gauge
- Bowl Corner Radius of 15mm
- Undermount Clips
- Template
- Stainless Steel Strainer
- 8" Deep

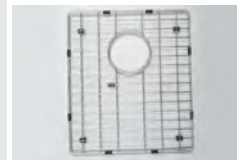
Outside: 30" x 17" x 8"
Inside: 28" x 15" x 8"
Bowl Size: 13.5" x 15" x 8"
13.5" x 15" x 8"

Minimum Cabinet Size 33"

Certification/Warranty

- ASME A 112.19.3
- CSA B45.4
- Limited Lifetime Warranty

Included Accessories



Grid
Model: G201708



Strainer
Model: 202012

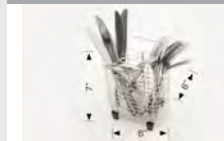


Plate Holder
Model: 202041

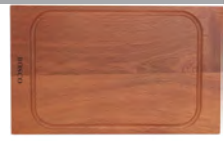


Colander
Model: 202040

Optional Accessories



Utensil Rack
Model: 202015



Cutting Board
Model: 202020

Bosco Canada Inc. is known around the world for producing high quality kitchen sinks that incorporate modern design and functional superiority in every piece they manufacture.