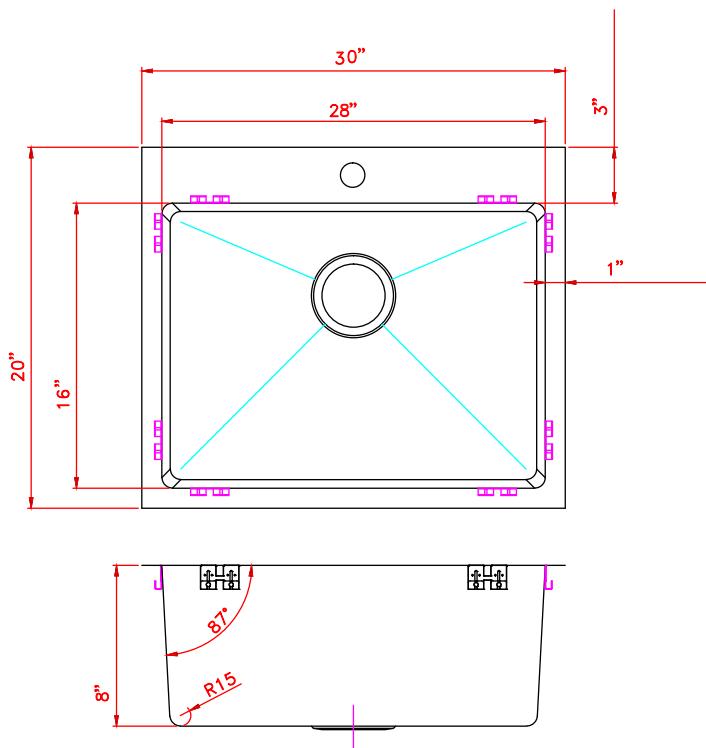
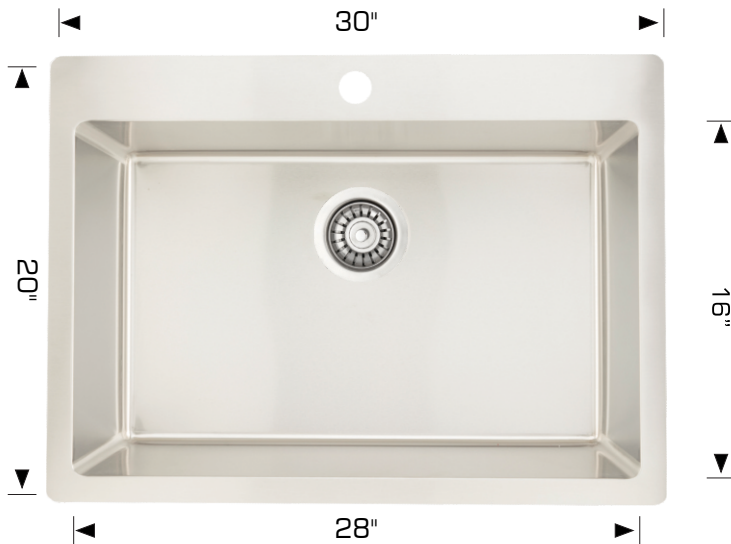


Standard Series - Model: T208061

Drop In



Specifications:

- 304 Stainless Steel
- 18 Gauge
- Template
- Clips
- Strainers
- 8" Deep

Outside: 30" x 20" x 8"
Inside: 28" x 16" x 8"

Minimum cabinet size 33"

Available with 1 or 3 holes

Certification/Warranty

- ASME A 112.19.3
- CSA B45.4
- Limited Lifetime Warranty

Optional Accessories



Model: GT208061
Grid



Model: 202020
Cutting Board



Model: 202041
Dish Rack

Bosco Canada Inc. is known around the world for producing high quality kitchen sinks that incorporate modern design and functional superiority in every piece they manufacture.