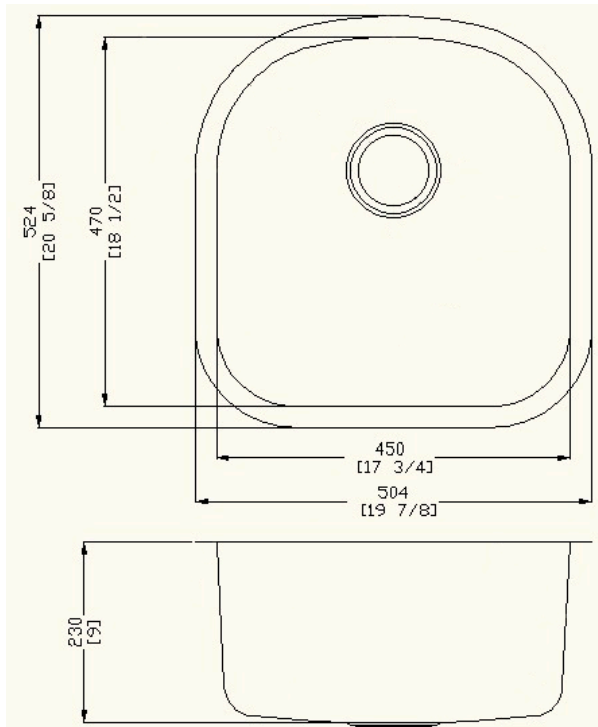


## Standard Series - Model: HU207014

### Undermount

Rear positioned drain holes to maximize usable bowl and cabinet storage space below



### Specifications:

- 304 Stainless Steel
- 18 Gauge
- Brushed Finish
- Strainers
- Undermount Clips
- Template
- 9" Deep

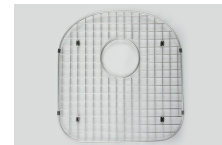
Outside: 20 5/8" x 19 5/8" x 9"  
 Inside: 17 3/4" x 18 5/8" x 9"

Minimum cabinet size 23"

### Certification/Warranty

- ASME A 112.19.3
- CSA B45.4
- Limited Lifetime Warranty

### Optional Accessories



**Model:** GHU207014  
Grid



**Model:** 202009  
Cutting Board



**Model:** 202013  
Plate Holder

*Bosco Canada Inc. is known around the world for producing high quality kitchen sinks that incorporate modern design and functional superiority in every piece they manufacture.*