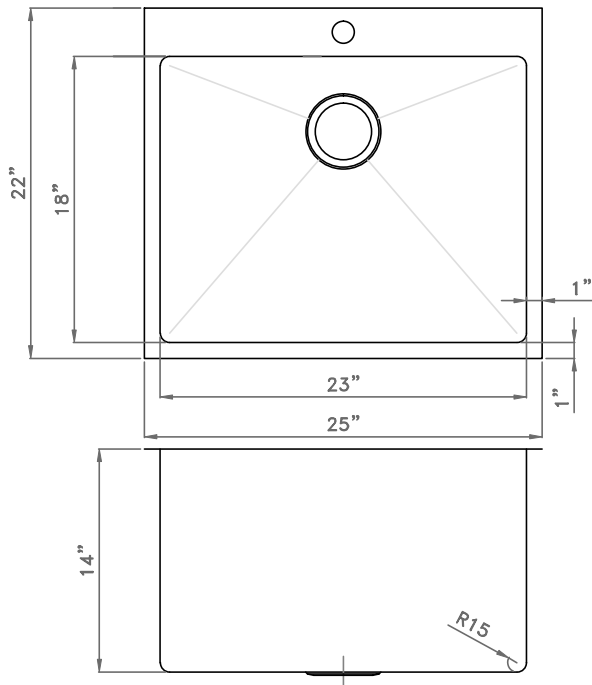
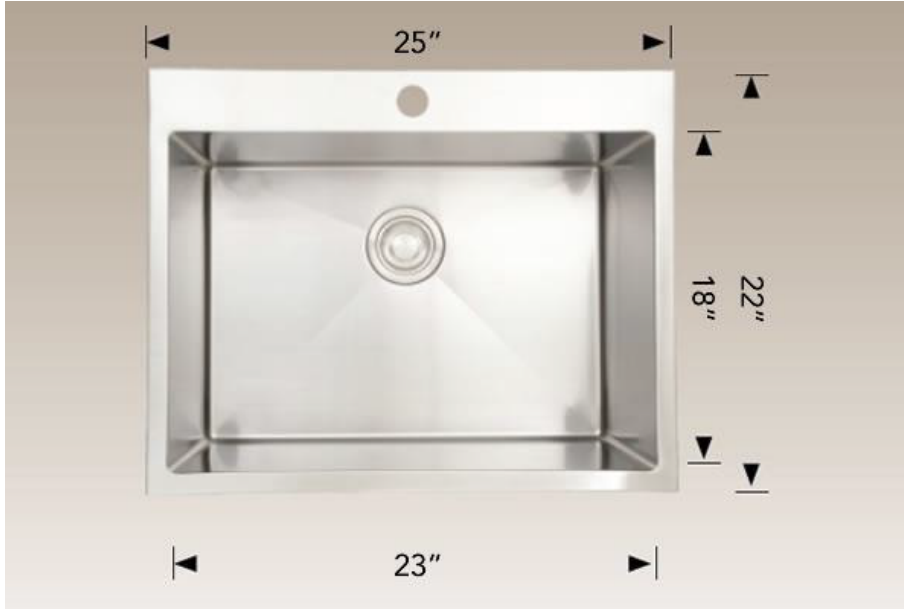


Laundry Series - Model: T208032 Plus

Drop in Radius Corner Flush Mount



Specifications:

- Handcrafted
- 304 Stainless Steel
- 16 Gauge
- Bowl Corner Radius of 10mm
- Drop-In / Top Mount
- Template
- Stainless Steel Strainer
- 14" Deep

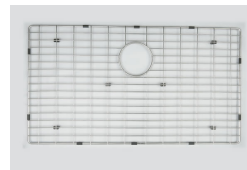
Outside: 25" x 22" x 14"
 Inside: 23" x 18" x 14"

Minimum Cabinet Size 27"

Certification/Warranty

- ASME A 112.19.3
- CSA B45.4
- Limited Lifetime Warranty

Included Accessories



Grid
Model: GT208032



Strainer
Model: 202010

Bosco Canada Inc. is known around the world for producing high quality kitchen sinks that incorporate modern design and functional superiority in every piece they manufacture.