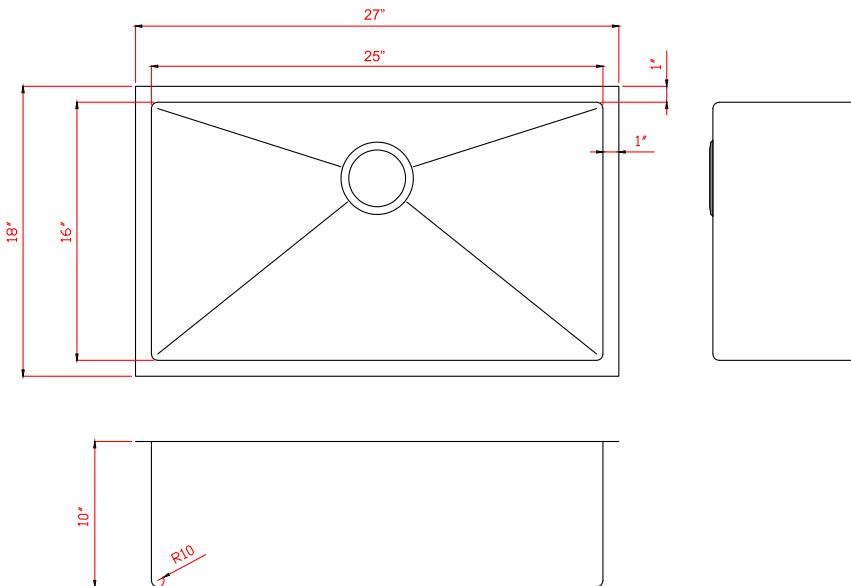


Laundry Sinks - Model: 208004

Radius Corners

Rear positioned drain holes to maximize usable bowl and cabinet storage space below



Specifications:

- Handcrafted
- 304 Stainless Steel 18 Gauge
- 18/10 Chrome Nickel Content
- Bowl Corner Radius of 10 mm
- Undermount Clips
- Template
- Stainless Steel Strainer
- 10" Deep

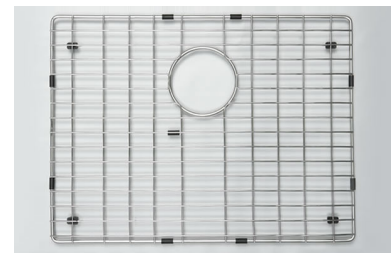
Outside: 27" x 18" x 10"
Inside: 25" x 16" x 10"

Minimum cabinet size 30"

Certification/Warranty

- ASME A 112.19.3
- CSA B45.4
- Limited Lifetime Warranty

Optional Accessories



Grid
Model: G208004

Bosco Canada Inc. is known around the world for producing high quality kitchen sinks that incorporate modern design and functional superiority in every piece they manufacture.