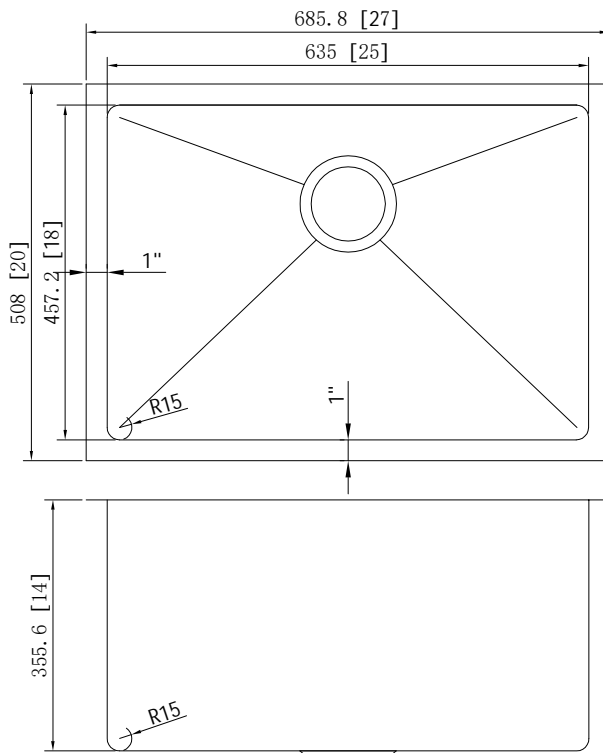


# Laundry Sinks - Model: 202217

## Undermount Radius Corners

Rear positioned drain holes to maximize usable bowl and cabinet storage space below



### Specifications:

- Handcrafted
- 304 Stainless Steel
- 16 Gauge
- 18/10 Chrome Nickel Content
- Bowl Corner Radius of 15mm
- Undermount Clips
- Template
- Stainless Steel Strainer
- 14" Deep

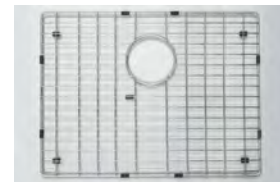
Outside: 27" x 20" x 14"  
Inside: 25" x 18" x 14"

Minimum Cabinet Size 30"

### Certification/Warranty

- ASME A 112.19.3
- CSA B45.4
- Limited Lifetime Warranty

### Optional Accessories



Grid  
**Model: G202217**



Strainer  
**Model: 202010**

*Bosco Canada Inc. is known around the world for producing high quality kitchen sinks that incorporate modern design and functional superiority in every piece they manufacture.*