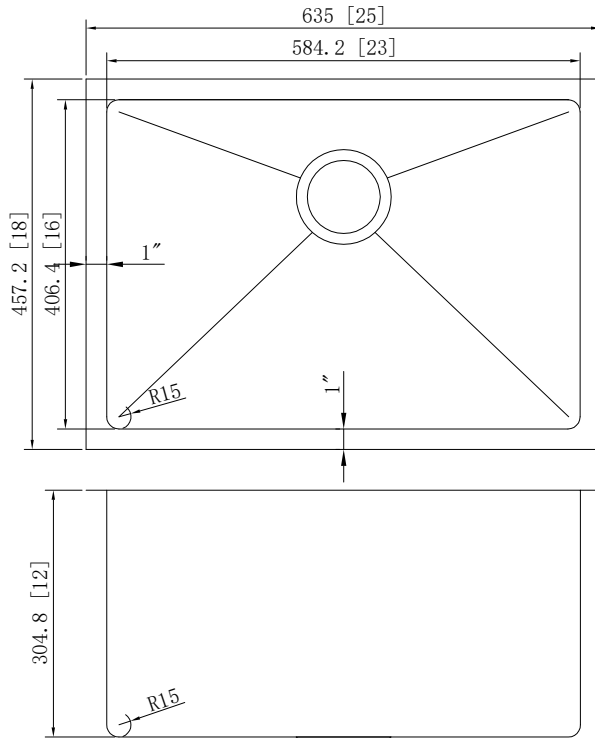


# Laundry Sinks - Model: 202213 Plus Undermount Radius Corners

Rear positioned drain holes to maximize usable bowl and cabinet storage space below



## Specifications:

- Handcrafted
- 304 Stainless Steel
- 16 Gauge
- 18/10 Chrome Nickel Content
- Bowl Corner Radius of 15mm
- Undermount Clips
- Template
- Stainless Steel Strainer
- 12" Deep

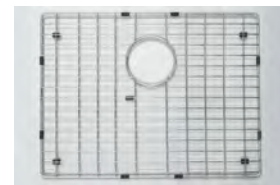
Outside: 25" x 18" x 12"  
 Inside: 23" x 16" x 12"

Minimum Cabinet Size 27"

## Certification/Warranty

- ASME A 112.19.3
- CSA B45.4
- Limited Lifetime Warranty

## Included Accessories



Grid  
**Model: G202213**



Strainer  
**Model: 202010**

*Bosco Canada Inc. is known around the world for producing high quality kitchen sinks that incorporate modern design and functional superiority in every piece they manufacture.*