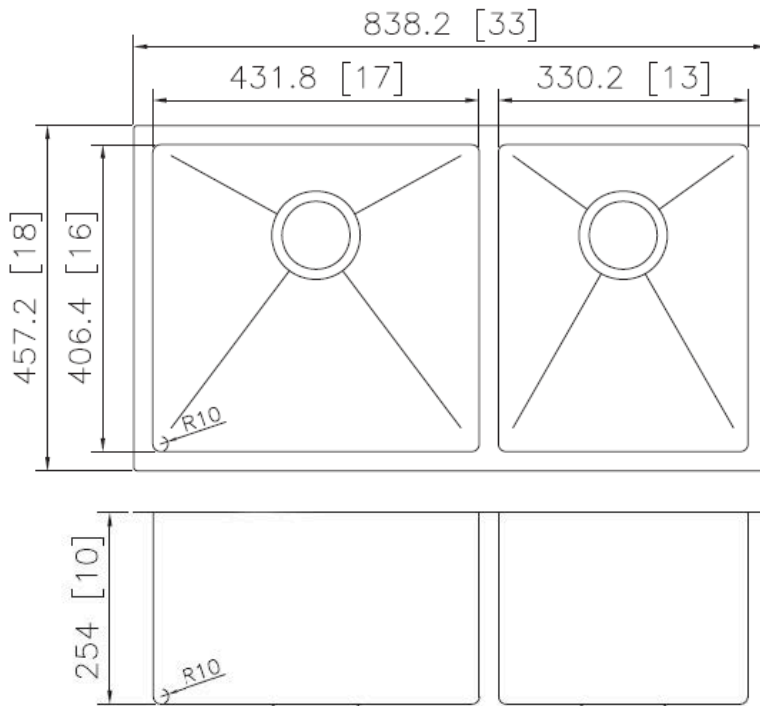


Diamond Series - Model: 203315

Radius Corner

Rear positioned drain holes to maximize usable bowl and cabinet storage space below



Specifications:

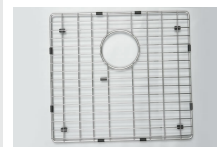
- Handcrafted
- 316 Stainless Steel
- 16 Gauge
- 18/10 Chrome Nickel Content
- Bowl Corner Radius of 10mm
- Undermount Clips
- Template
- Stainless Steel Strainers
- 10" Deep

Outside: 33" x 18" x 10"
Inside: 31" x 16" x 10"
Bowl Size: 17" x 16" x 10"
13" x 16" x 10"
Minimum Cabinet Size 36"

Certification/Warranty

- ASME A 112.19.3
- CSA B45.4
- Limited Lifetime Warranty

Optional Accessories



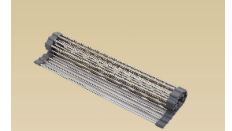
Model: G203315B
Grid



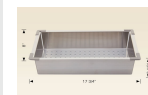
Model: G203315S
Grid



Model: 202020
Cutting Board



Model: 202043
Roll Up Dish Drying Rack



Model: 202040
Colander



Model: 202041
Plate Holder



Model: 202012
Strainer

Bosco Canada Inc. is known around the world for producing high quality kitchen sinks that incorporate modern design and functional superiority in every piece they manufacture.