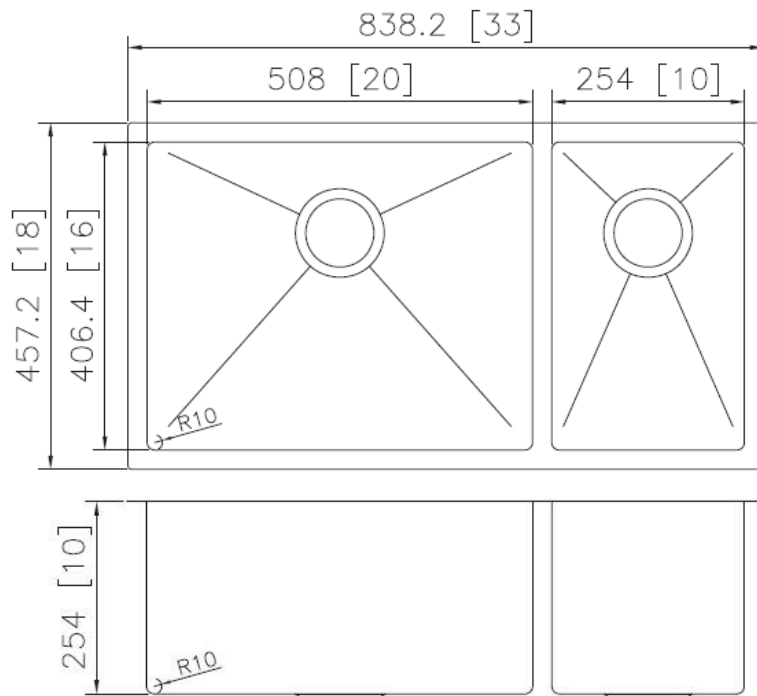


## Diamond Series - Model: 203314

### Radius Corner

Rear positioned drain holes to maximize usable bowl and cabinet storage space below



### Specifications:

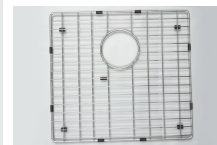
- Handcrafted
- 316 Stainless Steel
- 16 Gauge
- 18/10 Chrome Nickel Content
- Bowl Corner Radius of 10mm
- Undermount Clips
- Template
- Stainless Steel Strainers
- 10" Deep

Outside: 33" x 18" x 10"  
Inside: 31" x 16" x 10"  
Bowl Size: 20" x 16" x 10"  
10" x 16" x 10"  
Minimum Cabinet Size 36"

### Certification/Warranty

- ASME A 112.19.3
- CSA B45.4
- Limited Lifetime Warranty

### Optional Accessories



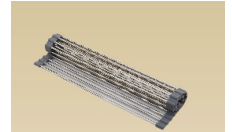
Model: G203314B  
Grid



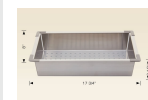
Model: G203314S  
Grid



Model: 202020  
Cutting Board



Model: 202043  
Roll Up Dish Drying Rack



Model: 202040  
Colander



Model: 202041  
Plate Holder



Model: 202012  
Strainer

*Bosco Canada Inc. is known around the world for producing high quality kitchen sinks that incorporate modern design and functional superiority in every piece they manufacture.*