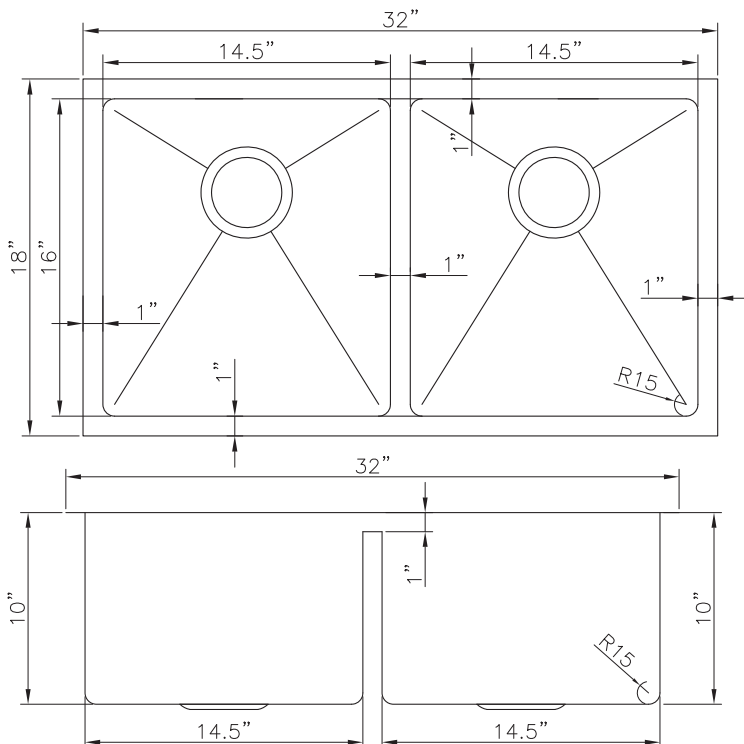
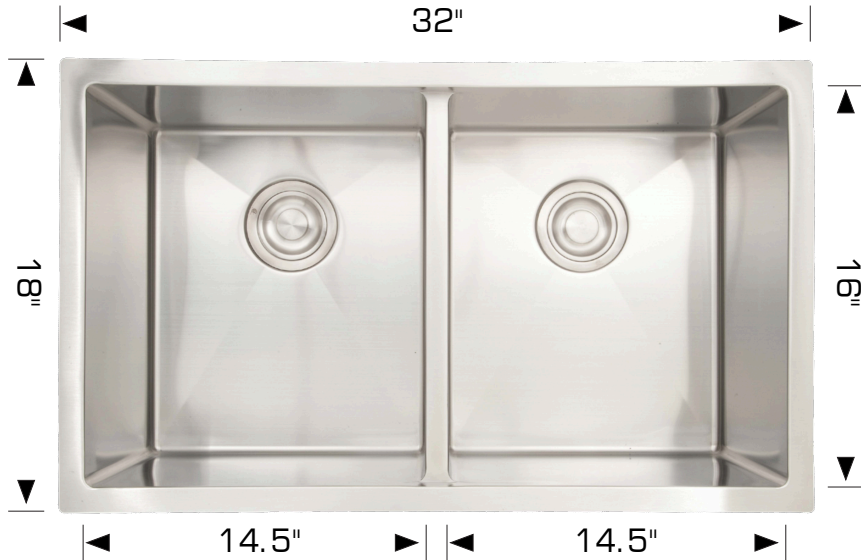


Deluxe Series - Model: 203318M Plus

Radius Corner

Rear positioned drain holes to maximize usable bowl and cabinet storage space below



Specifications:

- Handcrafted
- 316 Stainless Steel 16 Gauge
- 18/10 Chrome Nickel Content
- Bowl Corner Radius of 15mm
- Undermount Clips
- Template
- Stainless Steel Strainers
- 9" Deep
- 1" Wide Central Lowered 1"

Outside: 32" x 18" x 10"
Inside: 30" x 16" x 10"
Bowl Size: 14.5" x 16" x 9"
14.5" x 16" x 9"

Minimum cabinet size 35"

Certification/Warranty

- ASME A 112.19.3
- CSA B45.4
- Limited Lifetime Warranty

Included Accessories



Model: G203318M
Grid



Model: 202012
Strainers



Model: 202040
Colander



Model: 202041
Plate Holder

Optional Accessories



Model: 202043
Roll Up Dish Rack



Model: 202020
Cutting Board

Bosco Canada Inc. is known around the world for producing high quality kitchen sinks that incorporate modern design and functional superiority in every piece they manufacture.