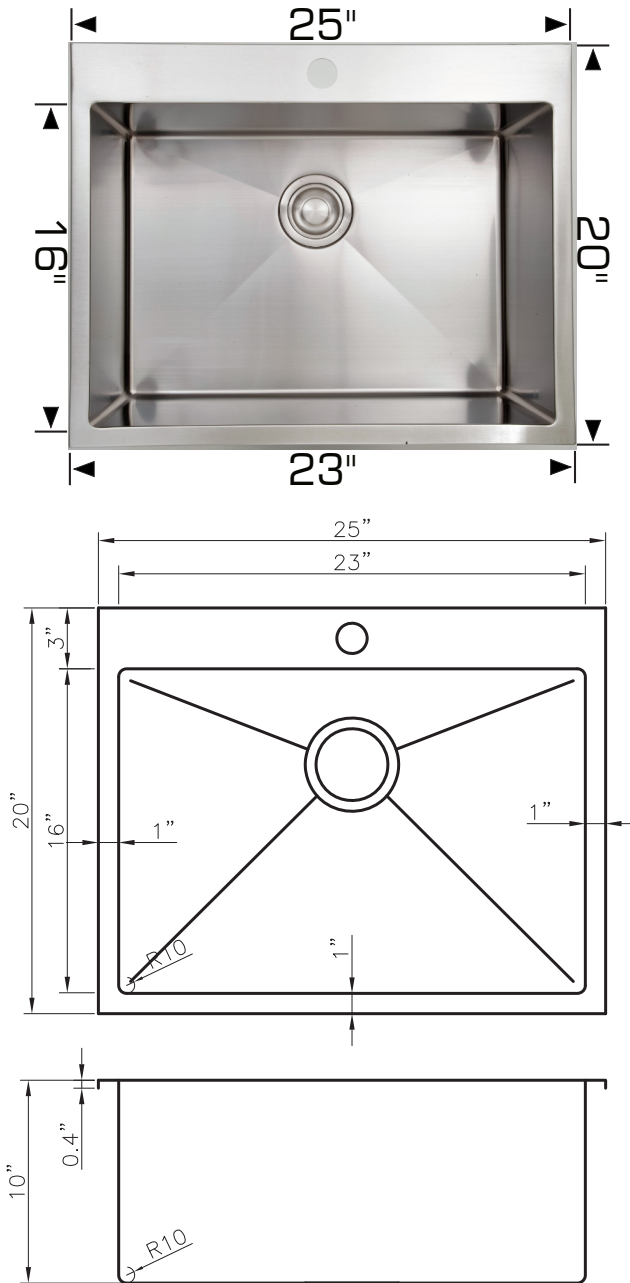


Deluxe Series - Model: T202222

Radius Corners

Rear positioned drain holes to maximize usable bowl and cabinet storage space below



Specifications:

- Handcrafted
- 304 Stainless Steel 18 Gauge
- 18/10 Nickel Content
- Bowl Corner Radius of 10mm
- Drop-In / Top Mount
- Template
- Stainless Steel Strainer
- 10" Deep

Outside: 25" x 20" x 10"
Inside: 23" x 16" x 10"

Minimum Cabinet Size 27"

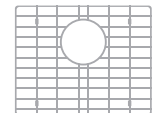
Certification/Warranty

- ASME A 112.19.3
- CSA B45.4
- Limited Lifetime Warranty

Included Accessories



Strainer
Model: 202012



Grid
Model: GT202222



Plate Holder
Model: 202041



Basket
Model: 202040

Optional Accessories



Model: 202043
Roll Up Dish Drying Rack

Bosco Canada Inc. is known around the world for producing high quality kitchen sinks that incorporate modern design and functional superiority in every piece they manufacture.