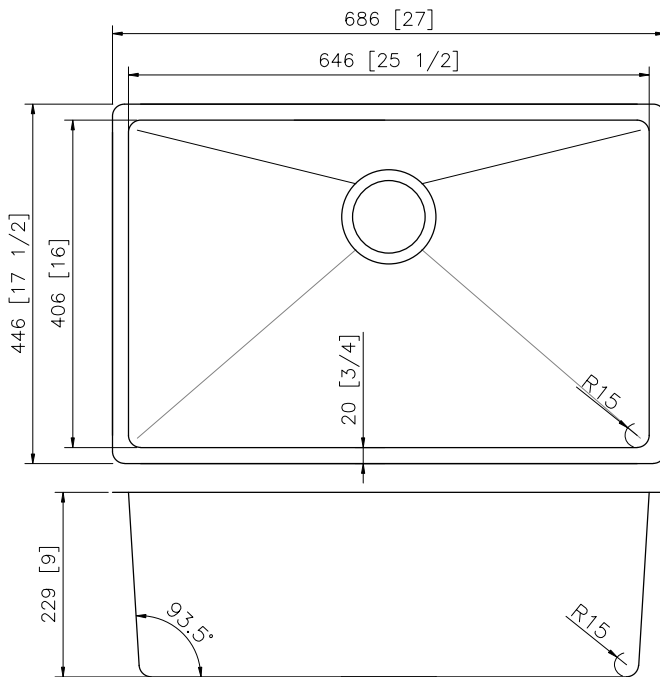


Builder Series - Model: 208015

Undermount

Rear positioned drain holes to maximize usable bowl and cabinet storage space below



Specifications:

- Handcrafted
- 304 stainless steel
- 16 gauge
- Bowl corner radius of 15mm
- Undermount clips
- Template
- Strainers
- 9" Deep

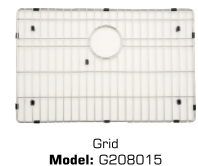
Outside: 27" x 17 1/2" x 9"
Inside: 25 1/2" x 16" x 9"

Minimum cabinet size 30"

Certification/Warranty

- ASME A 112.19.3
- CSA B45.4
- Limited Lifetime Warranty

Optional Accessories



Bosco Canada Inc. is known around the world for producing high quality kitchen sinks that incorporate modern design and functional superiority in every piece they manufacture.