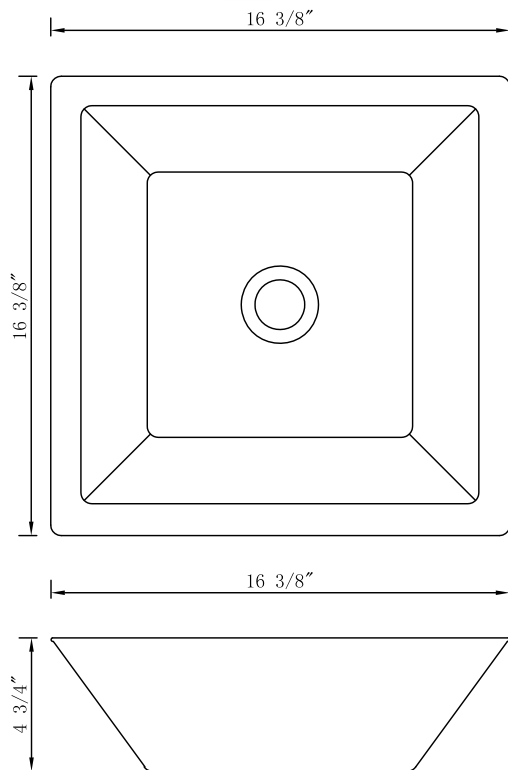


Vessel Sinks

Model: 200021



Specifications:

- Ceramic Sink
- Available in White
- Exterior:
 $16 \frac{3}{8}'' \times 16 \frac{3}{8}'' \times 4 \frac{3}{4}''$
- 1-3/4" Drain Opening

This specification describes a Revere product with design quality and functional benefits to the User. When making a comparison of others producers offerings, be certain these features are not overlooked.

Certification/Warranty

- CSA B45.1
- ASME A112.19.2
- Limited Lifetime Warranty

Optional Clip & Strainer



Model: 202001

In keeping with our policy of continuing product improvement, Bosco Canada reserves the right to change product specifications without notice. Please visit boscocanada.com for most current version of Bosco product specifications sheets.