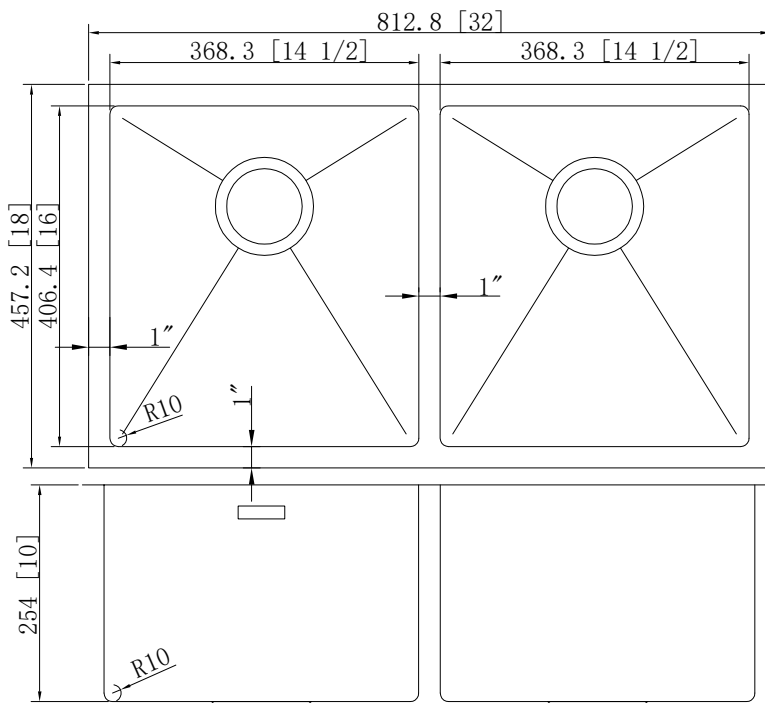
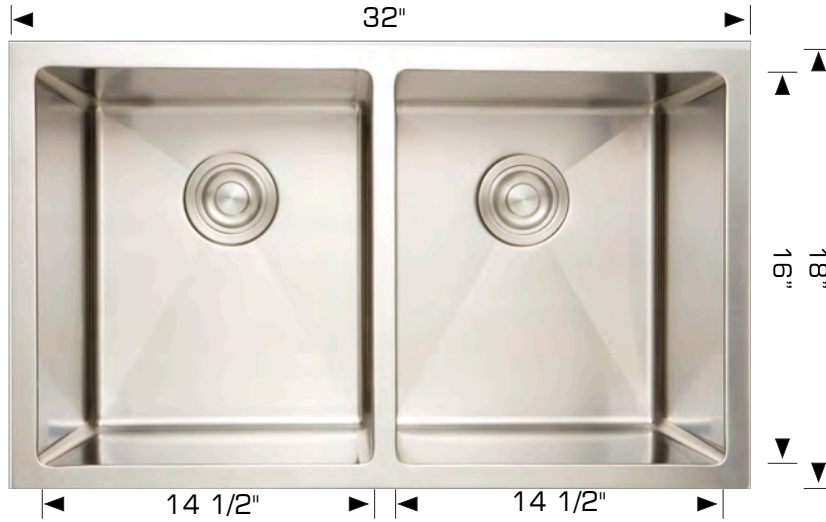


## Titanium Series - Model: 203335

### Radius Corner

Rear positioned drain holes to maximize usable bowl and cabinet storage space below



### Specifications:

- Handcrafted
- 304 Stainless Steel 16 Gauge
- 18/10 Chrome Nickel Content
- Bowl Corner Radius of 10 mm
- Clips & Template
- Brushed Finish
- Stainless Steel Strainer
- 10" Deep

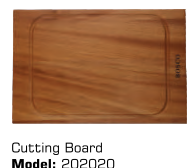
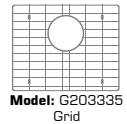
Outside: 32" x 18" x 10"  
Inside: 30" x 16" x 10"  
Bowl Size: 14 1/2" x 16" x 10"  
14 1/2" x 16" x 10"

Minimum Cabinet Size 35"

### Certification/Warranty

- ASME A 112.19.3
- CSA B45.4
- Limited Lifetime Warranty

### Optional Accessories



*Bosco Canada Inc. is known around the world for producing high quality kitchen sinks that incorporate modern design and functional superiority in every piece they manufacture.*